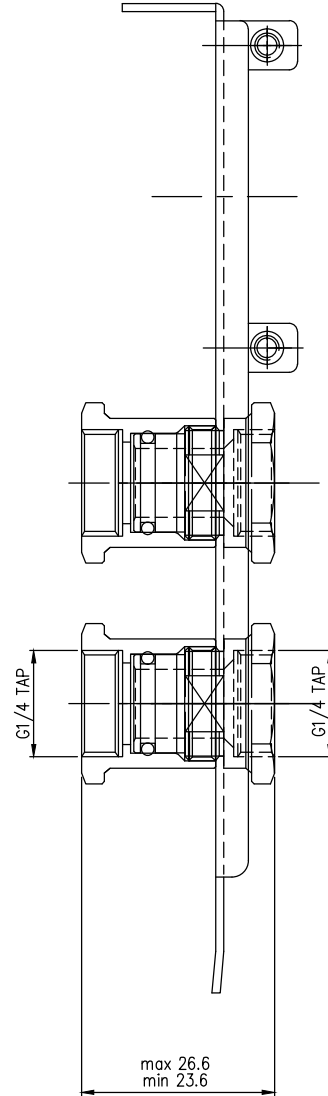
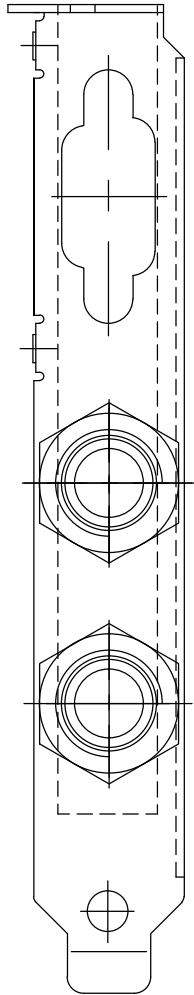


**Computer L-Bracket (Double Panel-Mount) G  
1/4 BSPP Threads**



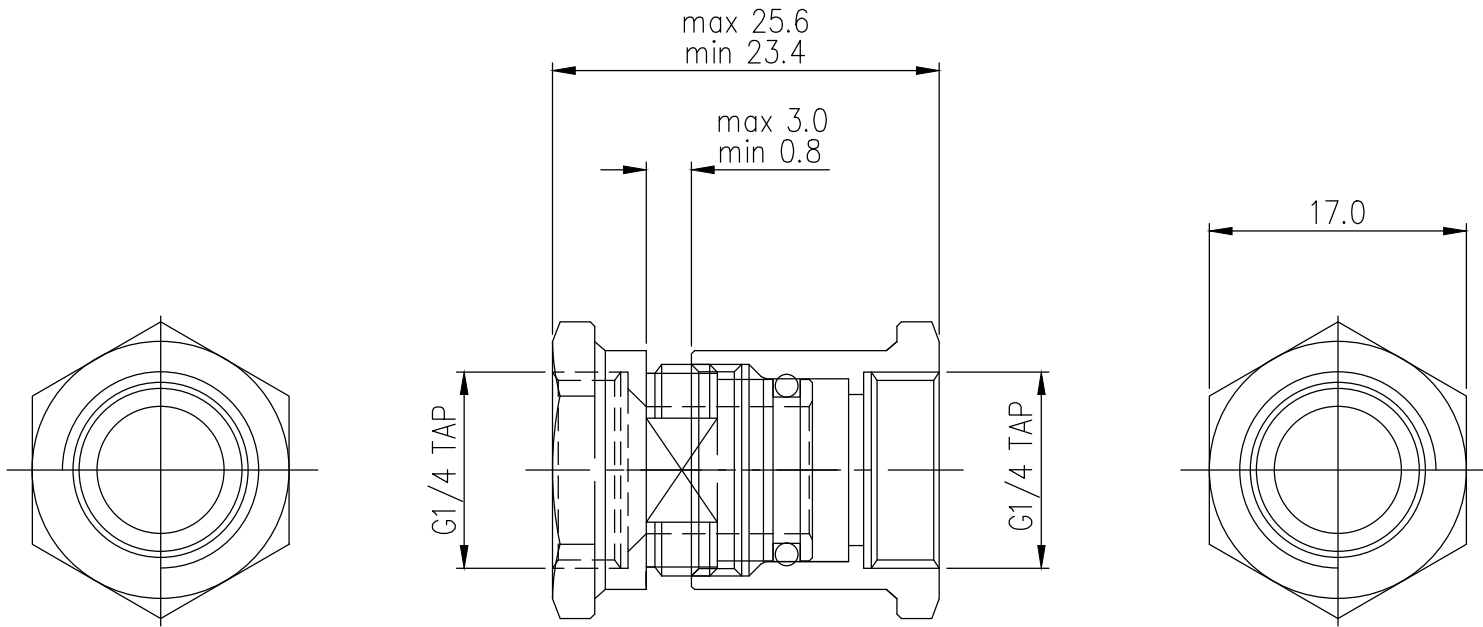
Dual panel-mounted socket threads for "internal/external" fittings on a computer chassis L-bracket. The female G 1/4 BSPP threaded couplings can be removed from the L-bracket and used as panel-mountable unions. Nickel-plated brass. This product may need to be temporarily disassembled during installation.

General	
Weight	0.10 lb (0.05 kg)



REV	DATE	CONTENTS	APPD BY

NO.	DESCRIPTION				MATER'L		QUANTITY	REMARKS
	<b>KOLANCE</b>				UNIT	MM	PART NO. BKT-PCI-G	
					SCALE	N/S		TITLE
DATE	BY	BY	BY	APPRD BY	3RD ANGLE			
	song				CODE NO.	ITEM		PAGE



REV	DATE	CONTENTS	APPD BY
		REVISION	

NO.	DESCRIPTION			MATER'L	QUANTITY	REMARKS
<b>KOLANCE</b>				UNIT	MM	PART NO. BKT-PCI-G
				SCALE	N/S	TITLE
DATE	BY	BY	BY	APPRD BY	3RD ANGLE	
	song				CODE NO.	ITEM
						PAGE