



Koolance 702 series coolant is used by many industries requiring a high performance, low-toxicity, reliable coolant with corrosion and biological inhibitors. A high quality coolant is extremely important for addressing dissimilar metals and biologic growth (bacterial and algae) long-term. Koolance liquids will not clog components and can typically be used for 2-3 years before replacement is recommended. (Coolant shelf life is 3 years.)

This container includes 700ml (24 fl oz) of prediluted coolant and can function as a squirt bottle for convenient reservoir filling. It's recommended to replace the coolant at least every 2-3 years, or immediately if there is any change in color or clarity.

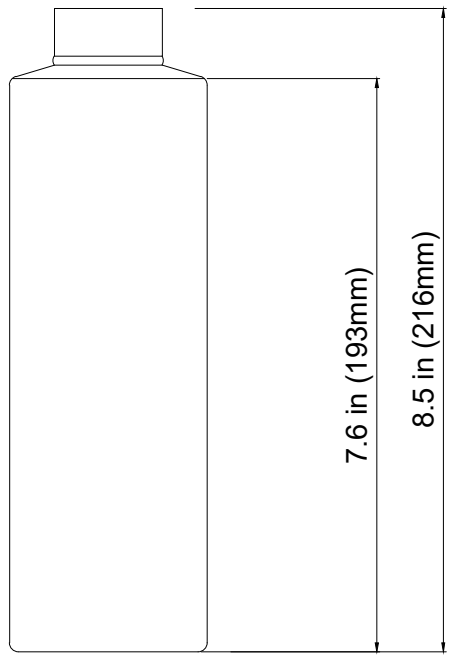
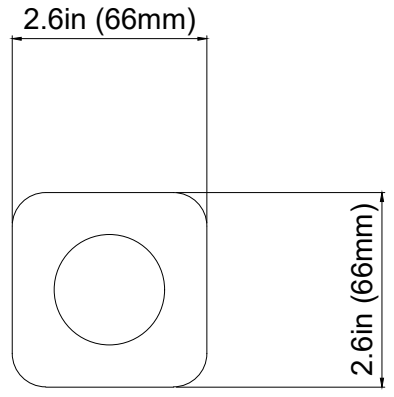
The freezing point is -15°C (5°F). This coolant has been

tested with the following materials:

- Metals: copper, brass, aluminum, stainless steel, nickel, steel, gold, lead
- Plastics: ABS, PA66, PBT, PE, PEI, PES, PETG, PMMA, POM, PP, PPE, PPO, PPS, PTFE, PU, PVC
- Rubber: EPDM

NOTE: Not recommended for polycarbonate plastics or other PC-based plastics.

General	
Weight	1.94 lb (0.88 kg)
Liquid Coolant	
Color	Blue
Electrical Conductivity (µS/cm)	2500
Freezing Point	-15°C (5°F)
Specific Gravity @20°C	1.03
UV Reactive	Blue
Viscosity @20°C (cP)	2.3
Volume	700mL (23.67 fl oz)



NO.	DESCRIPTION	MATER'L		QUANTITY	REMARKS
		UNIT	MM	APPAR	
		SCALE	N/S	TITLE	LIQ-702XX-B
DATE	BY	BY	BY	3RD ANGLE	
2026.05.11	SK.An			CODE NO.	