



Koolance 702 series coolant is used by many industries requiring a high performance, low-toxicity, reliable coolant with corrosion and biological inhibitors. A high quality coolant is extremely important for addressing dissimilar metals and biologic growth (bacterial and algae) long-term. Koolance liquids will not clog components and can typically be used for 2-3 years before replacement is recommended. (Coolant shelf life is 3 years.)

This container includes 700ml (24 fl oz) of prediluted coolant and can function as a squirt bottle for convenient reservoir filling. It's recommended to replace the coolant at least every 2-3 years, or immediately if there is any change in color or clarity.

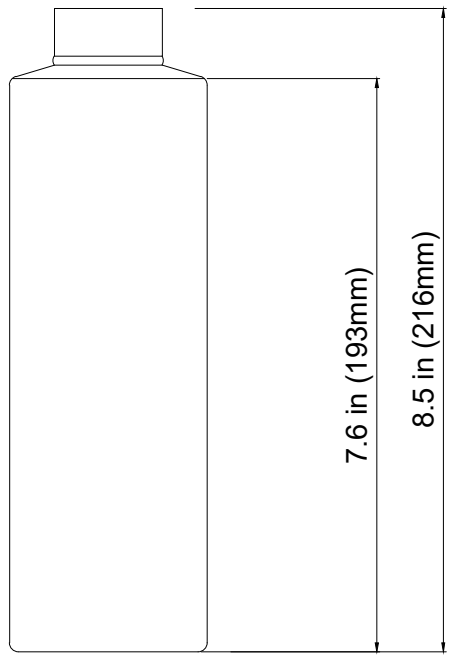
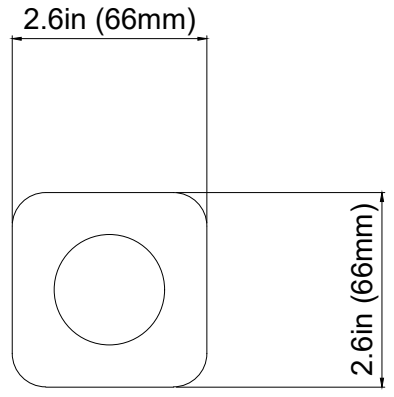
The freezing point is -15°C (5°F). This coolant has been


tested with the following materials:

- Metals: copper, brass, aluminum, stainless steel, nickel, steel, gold, lead
- Plastics: ABS, PA66, PBT, PE, PEI, PES, PETG, PMMA, POM, PP, PPE, PPO, PPS, PTFE, PU, PVC
- Rubber: EPDM

NOTE: Not recommended for polycarbonate plastics or other PC-based plastics.

| General                         |                     |
|---------------------------------|---------------------|
| Weight                          | 1.94 lb (0.88 kg)   |
| Liquid Coolant                  |                     |
| Color                           | Red                 |
| Electrical Conductivity (µS/cm) | 2500                |
| Freezing Point                  | -15°C (5°F)         |
| Specific Gravity @20°C          | 1.03                |
| UV Reactive                     | Red                 |
| Viscosity @20°C (cP)            | 2.3                 |
| Volume                          | 700mL (23.67 fl oz) |



| NO.        | DESCRIPTION   |  |  |  | MATER'L  |          | QUANTITY | REMARKS                     |
|------------|---|--|--|--|----------|----------|----------|-----------------------------|
|            |   |  |  |  | UNIT     | MM       |          |                             |
|            |  |  |  |  | SCALE    | N/S      | APPAR    | TITLE<br><b>LIQ-702XX-B</b> |
| DATE       |   |  |  |  | BY       | BY       | BY       |                             |
| 2026.05.11 | SK.An   |  |  |  | CODE NO. | DWG. NO. |          |                             |