



Koolance's ALX series are powerful liquid cooling systems with expandable thermal capacities and software logging. ALX-2000-P400 provides approximately 2000W of cooling using a triple fan radiator.

This version includes the RPM-ALX400 and HXM-ALX2000 modules. These are quickly combined during installation, and [individually upgradeable](#) if requirements later change. The front "RPM" contains the pump, reservoir, electronics, and sensors. The rear "HXM" houses the heat exchanger, fans, and flow meter.

A USB port is integrated for viewing and logging of temperature and sensor data using the [Koolance System Monitor](#) application. Rev.2.0 ALX systems add software control options for temperature set point, alarm, trigger relay, pump speed, and fan speed. Rev.2.1 adds a pump disable option and 0-5V output signal.

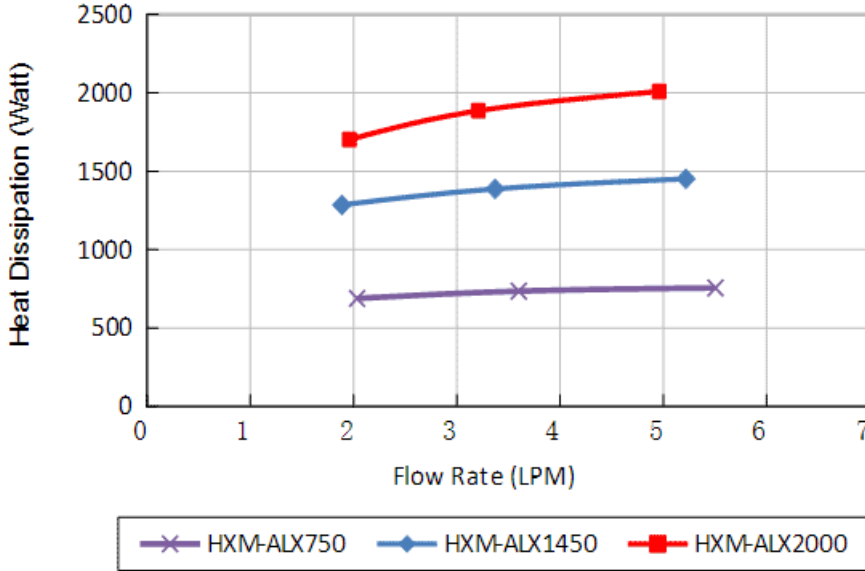
- Cooling capacity: 2000W (6824BTU/hr) with 25°C liquid-ambient delta @ 5.0LPM
- Temperature in °C/°F with set-point based on: liquid (-30 to 90°C), or one of two optional K-type thermocouples (-20 to 120°C)
- Pump: 10 manual levels, up to 5.0LPM (1.3GPM)
- Select only values you want displayed on the front 2-line OLED display (fixed or rotating)
- Show coolant flow rate in LPM/GPM
- Show pump impeller speed in RPM
- Show radiator fan speed in RPM
- Enable audio alarm based on: temperature, flow rate, and/or reservoir coolant level
- Enable relay trigger (NO or NC) based on: temperature, flow rate, and/or reservoir coolant level
- Power input: 12VDC, 97W or higher
- Reservoir capacity: 400ml (13.5 fl oz)
- 1/4 NPT threads on back for fittings

NOTE: Requires 12VDC input power. Koolance offers a separate [power supply](#) for AC wall outlet sources. Inlet/outlet fitting threads on rear of the cooling system are NPT 1/4-inch.

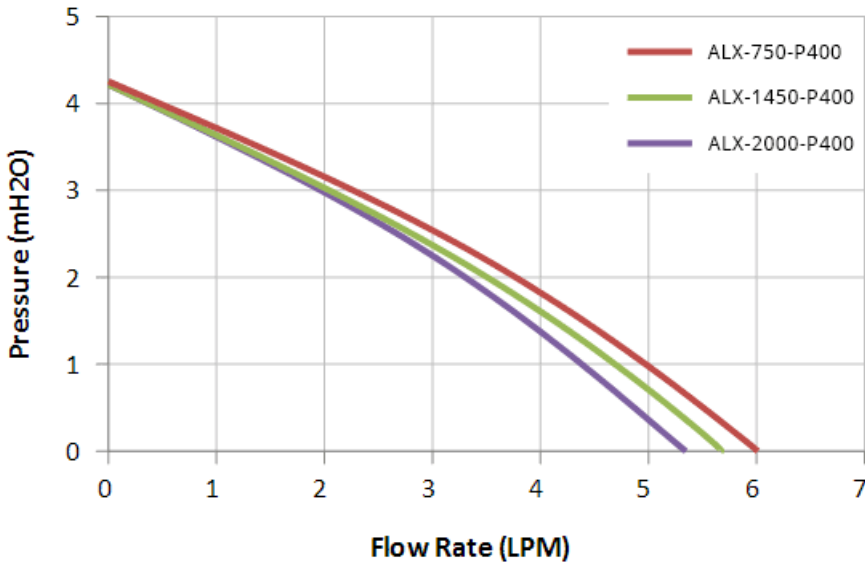
General	
Weight	12.00 lb (5.44 kg)
Fitting Thread	NPT 1/4
Max Pressure @ 25°C	2kgf/cm2 (28.5psi)
Max Temp. Operating Tolerance	60°C (140°F)
Noise (dBA)	30-63
Cooling Systems	
Cooling Capacity	2000W (6824BTU/hr) @ 25°C liquid-ambient (25°C dT)
Display Type	OLED
Flow Rate	5.0LPM (1.3GPM)
Max Power Consumption	97W

General	
Power Source	12 VDC
Radiator	Brass/Copper, 3 x 120mm fans
Temperature Sensors	Liquid & Two K-Type Thermocouples (optional)
Temperature Stability	+/-0.5°C

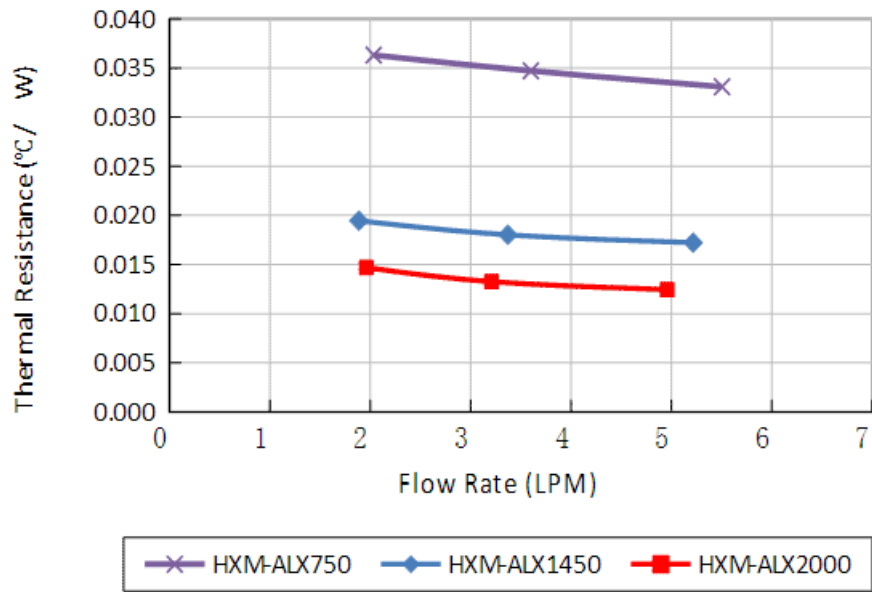
ALX Systems  
 $(\Delta T = \text{Inlet Water} - \text{Ambient} = 25^\circ\text{C})$

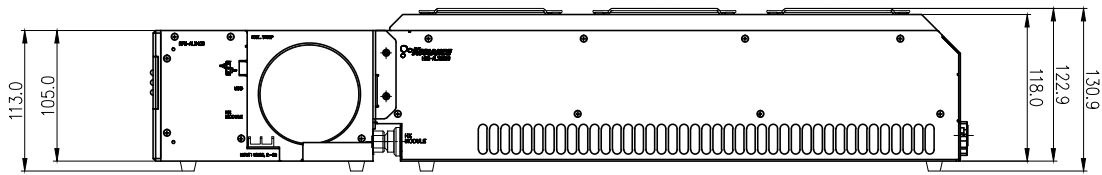
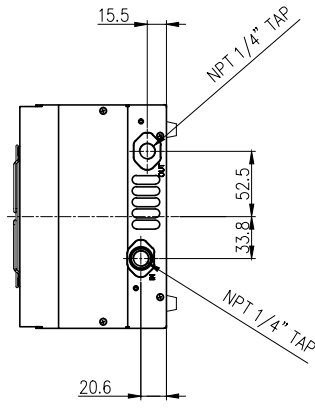
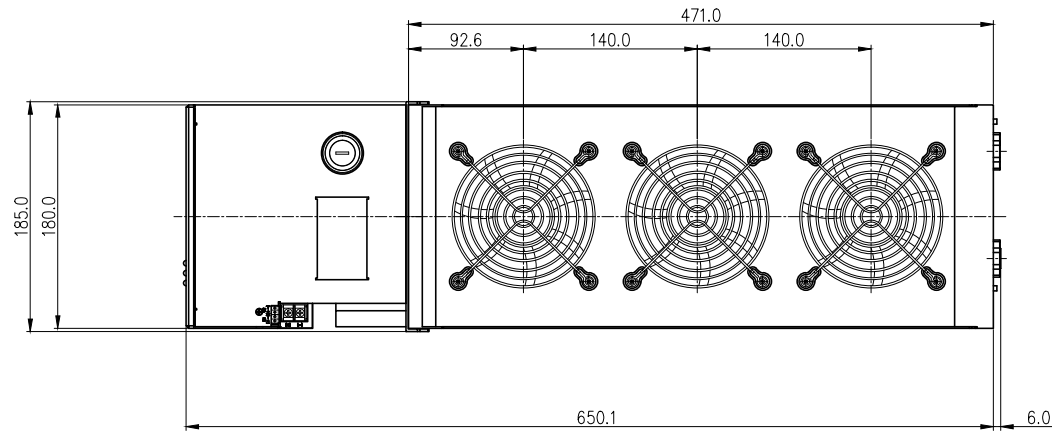
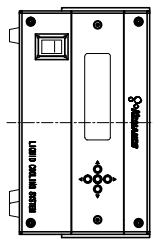
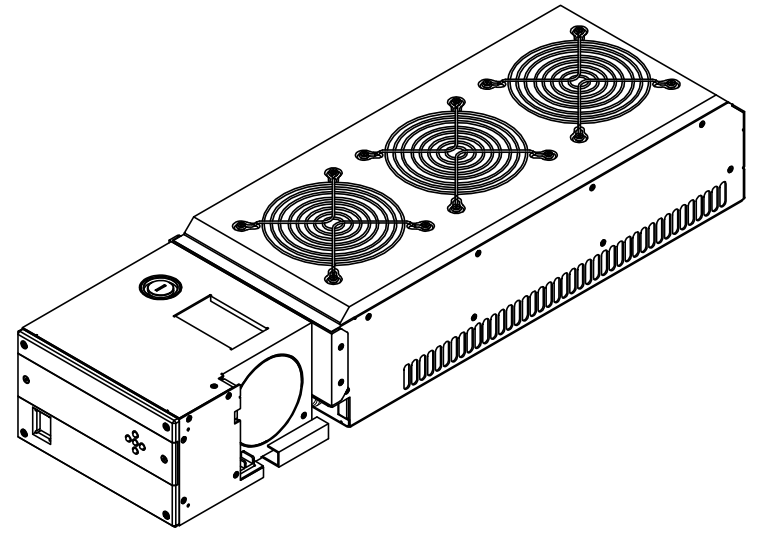
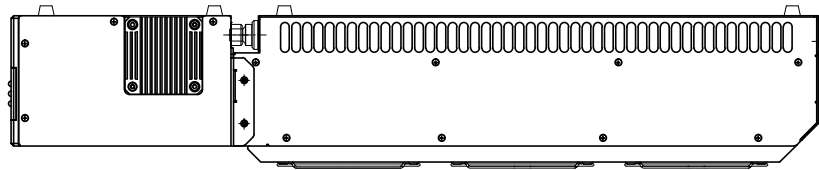


ALX System Pump Output



ALX Systems  
( $\Delta T = \text{Inlet Water} - \text{Ambient} = 25^\circ\text{C}$ )





NO.	DISCRIPTION				MATER'L		QUANTITY	REMARKS
					UNIT	MM		
	<b>KOOLANCE</b>				SCALE	N/S	ITEM	ALX-2000-P400
DATE					BY	BY	BY	APPRO BY
	S.J.LEE				CODE NO.	DWG. NO.	PAGE	