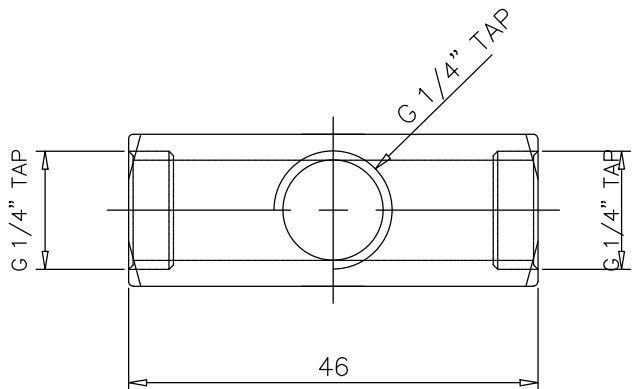
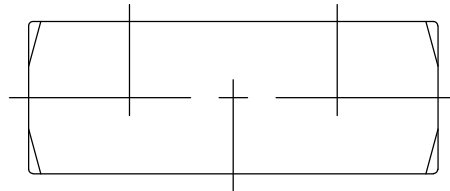
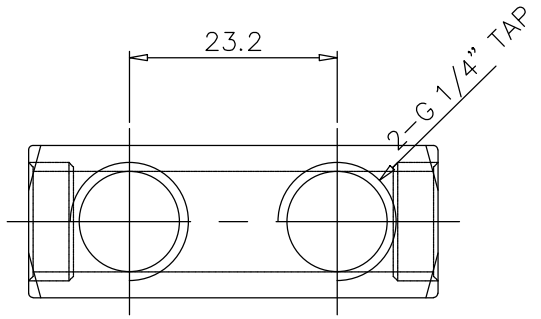
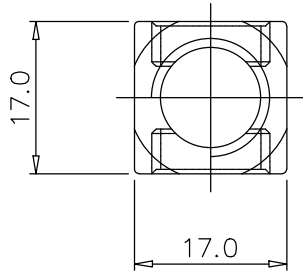




Extensible fitting bodies can be used to build such things as: splitters, tubing size adapters, drain valves, inline temperature sensors, elbow fittings, and more. This product has five G 1/4 BSPP (parallel) threads and includes two G 1/4 BSPP plugs. Made of nickel-plated brass.

General	
Weight	0.30 lb (0.14 kg)
Fitting Thread	G 1/4 BSPP
Max Pressure Tolerance @ 25 °C	15kgf/cm2 (213.4psi)
Max Temperature Tolerance	120 °C (248 °F)



NO.	DESCRIPTION				MATER'L		QUANTITY	REMARKS
					UNIT	MM	PART NO. SPL-XUFY5B	TITLE
					SCALE	N/S		
DATE	BY	BY	BY	APPRD BY	3RD ANGLE			
2020.01.03	S.J.LEE				DWG. NO.	ITEM		