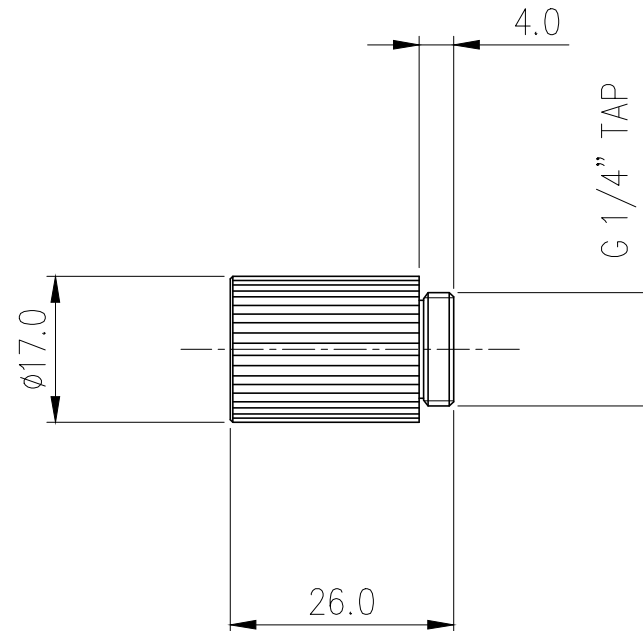
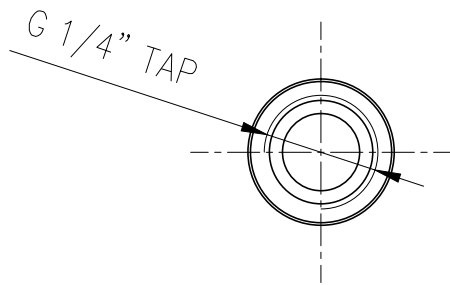


**Fitting Coupling Adapter, \*Black\* Male-Female,  
20mm, G 1/4 BSPP**



ADT-XMF-L-BK is a longer Male-Female G 1/4 BSPP (parallel) thread coupler. Among various applications, it could be used as a spacer for obtaining extra fitting clearance. The body height, not including the male threading, is 20mm (0.79").

General	
Weight	0.06 lb (0.03 kg)
Fitting Thread	G 1/4 BSPP
Max Pressure Tolerance @ 25 °C	15kgf/cm2 (213.4psi)
Max Temperature Tolerance	120 °C (248 °F)
Wetted Materials	Brass, EPDM



NO.	DESCRIPTION	MATER'L		QUANTITY	REMARKS
	<b>KOOLANCE</b>	UNIT	MM	APPAR	ADT-XMF-L(-BK)
		SCALE	N/S	TITLE	
DATE	BY	BY	BY	BY	3RD ANGLE
04/07/2017	S.J.LEE				DWG. NO.
					Ass'y