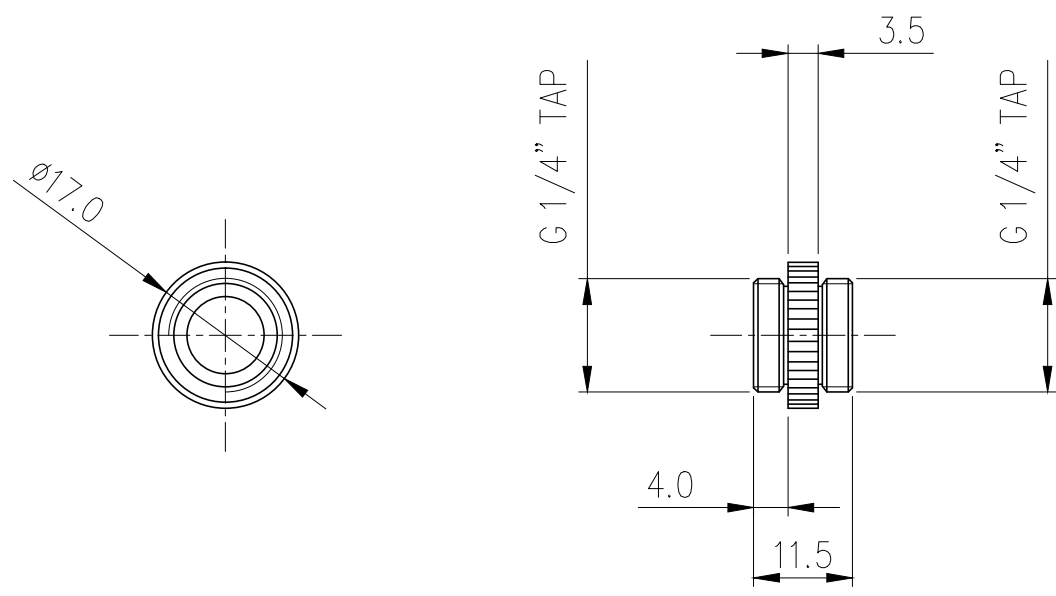


**Fitting Coupling Adapter, *Black* Male-Male, G
1/4 BSPP**



Male-Male G 1/4 BSPP (parallel) thread coupler. It is generally used as a gender changer for converting a female G 1/4 BSPP thread to male.

General	
Weight	0.02 lb (0.01 kg)
Fitting Thread	G 1/4 BSPP
Max Pressure Tolerance @ 25 °C	15kgf/cm2 (213.4psi)
Max Temperature Tolerance	120 °C (248 °F)
Wetted Materials	Brass, EPDM



NO.	DESCRIPTION	MATER'L		QUANTITY	REMARKS
	KOOLANCE	UNIT	MM	APPAR	ADT-XMM(-BK)
		SCALE	N/S	TITLE	
DATE	BY	BY	BY	BY	3RD ANGLE
04/07/2017	S.J.LEE				DWG. NO.
					Ass'y