

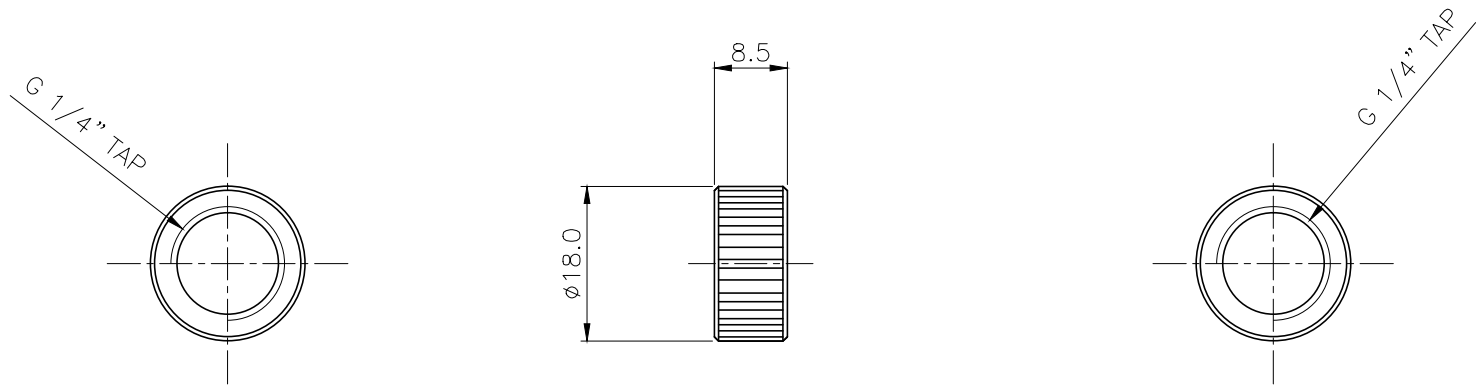
Fitting Coupling Adapter, Female-Female, G
1/4 BSPP



The Koolance Fitting Coupling Adapter provides a convenient coupler for converting between any two G 1/4 BSPP (parallel) thread fittings. Easily adapt any tubing diameter to another, for example, or a swiveling connection to a barb fitting.

NOTE: Koolance G 1/4 BSPP (parallel) thread fittings are recommended for this product due to their short thread length (4mm). Other brands of G 1/4 BSPP fittings may need trimming to fit this product.

General	
Weight	0.03 lb (0.01 kg)
Fitting Thread	G 1/4 BSPP
Max Pressure Tolerance @ 25 °C	15kgf/cm ² (213.4psi)
Max Temperature Tolerance	120 °C (248 °F)
Wetted Materials	Brass, Nickel Plating



NO.	DESCRIPTION	MATER'L		QUANTITY	REMARKS
	KOOLANCE	UNIT	MM	APPAR	ADT-XFF
		SCALE	N/S	TITLE	
	BY	BY	APPRO BY	Ass'y	
DATE					
04/06/2017	S.J.LEE			3RD ANGLE	
				CODE NO.	DWG. NO.