

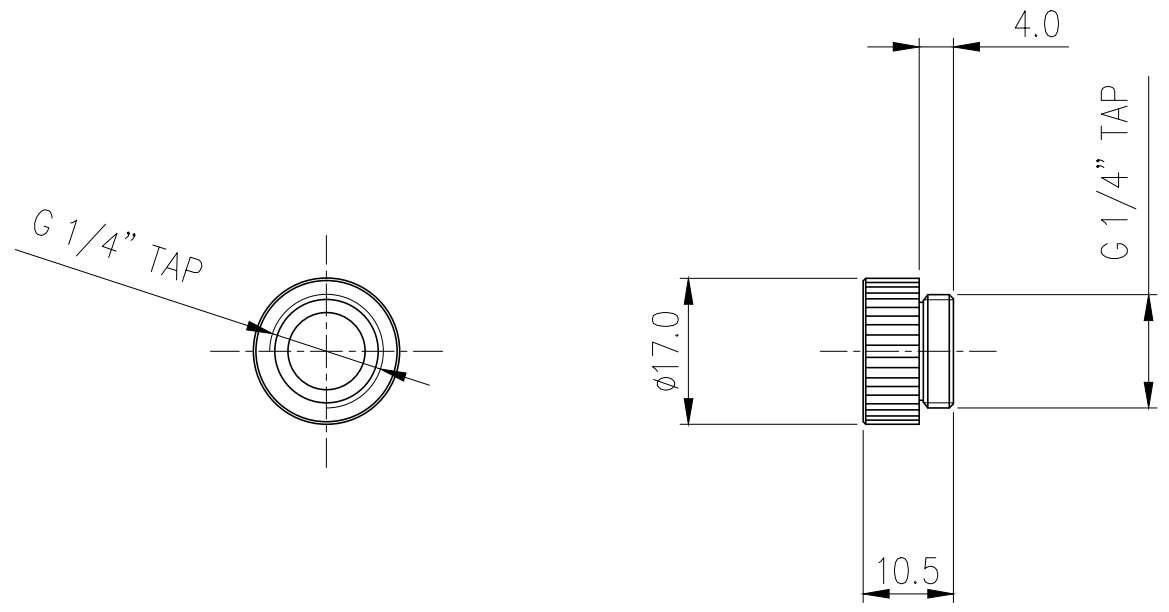
Fitting Coupling Adapter, Male-Female, G 1/4
BSPP



ADT-XMF is a Male-Female G 1/4 BSPP (parallel) thread coupler. Among various applications, it could be used as a spacer for obtaining extra fitting clearance. The body height, not including the male threading, is 7mm (1/4in).

NOTE: Koolance G 1/4 BSPP (parallel) thread fittings are recommended for this product due to their short thread length (4mm). Other brands of G 1/4 BSPP fittings may need trimming to fit this product.

General	
Weight	0.03 lb (0.01 kg)
Fitting Thread	G 1/4 BSPP
Max Pressure Tolerance @ 25° C	15kgf/cm2 (213.4psi)
Max Temperature Tolerance	120° C (248° F)
Wetted Materials	Brass, Nickel Plating, EPDM



NO.	DESCRIPTION	MATER'L		QUANTITY	REMARKS
	KOOLANCE	UNIT	MM	APPAR	ADT-XMF(-BK)
		SCALE	N/S	TITLE	
DATE	BY	BY	BY	BY	3RD ANGLE
04/07/2017	S.J.LEE				

Ass'y

DWG. NO.