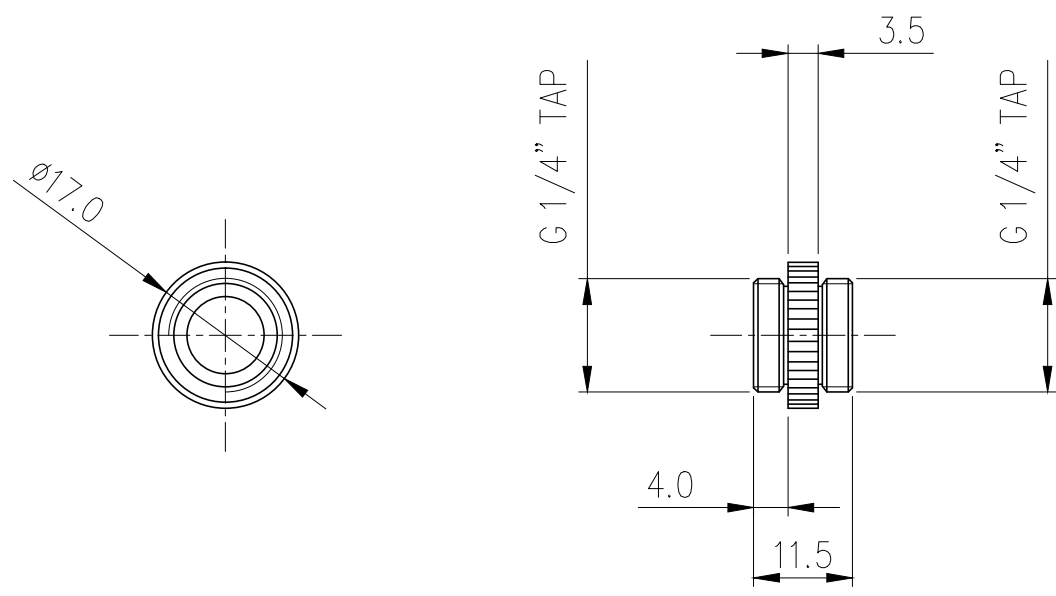




ADT-XMM is a Male-Male G 1/4 BSPP (parallel) thread coupler. It is generally used as a gender changer for converting a female G 1/4 BSPP thread to male.

General	
Weight	0.02 lb (0.01 kg)
Fitting Thread	G 1/4 BSPP
Max Pressure Tolerance @ 25 °C	15kgf/cm2 (213.4psi)
Max Temperature Tolerance	120 °C (248 °F)
Wetted Materials	Brass, Nickel Plating, EPDM



NO.	DESCRIPTION	MATER'L		QUANTITY	REMARKS
	<b>KOOLANCE</b>	UNIT	MM	APPAR	ADT-XMM(-BK)
		SCALE	N/S	TITLE	
DATE	BY	BY	BY	APPRO	BY
04/07/2017	S.J.LEE			3RD ANGLE	
				CODE NO.	DWG. NO.

Ass'y