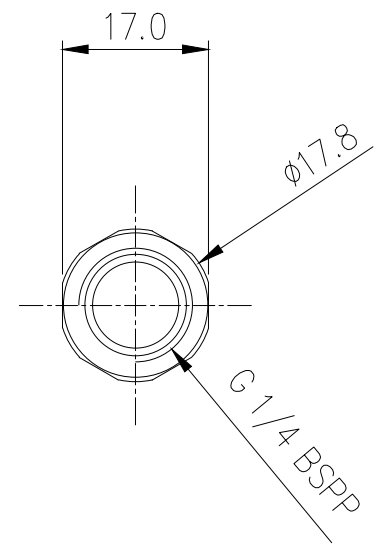
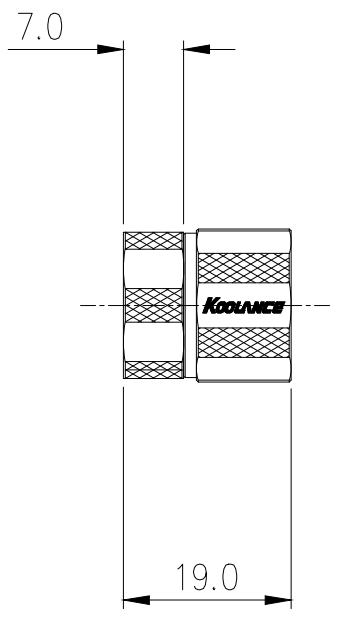
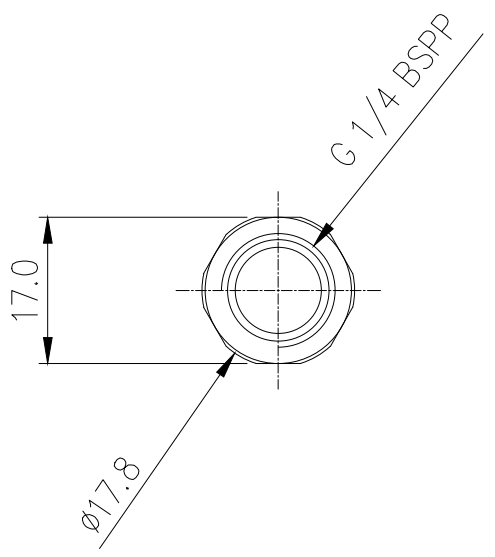


**Fitting Coupling Adapter, Swiveling Female-Female, G 1/4 BSPP**



ADT-SFF is a Female-Female G 1/4 BSPP (parallel) thread swiveling coupler.

General	
Weight	0.06 lb (0.03 kg)
Fitting Thread	G 1/4 BSPP
Max Pressure Tolerance @ 25° C	8kgf/cm2 (113.8psi)
Max Temperature Tolerance	100° C (212° F)
Wetted Materials	Brass, Nickel Plating, EPDM



NO.	DESCRIPTION	MATER'L		QUANTITY	REMARKS
	<b>KOOLANCE</b>	UNIT	MM	APPAR	ADT-SFF
		SCALE	N/S	TITLE	
DATE	BY	BY	BY	BY	3RD ANGLE
AUG.13.2020	S.J.LEE				Ass'y
				CODE NO.	DWG. NO.