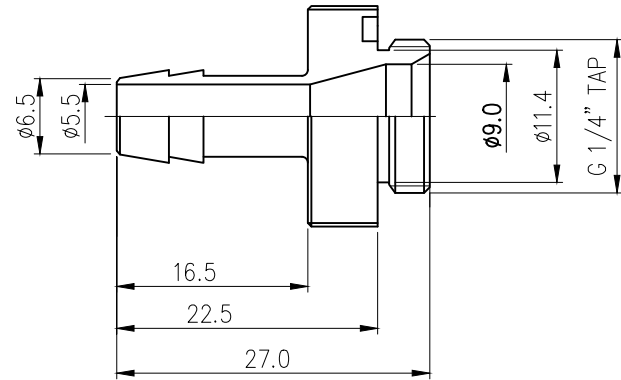
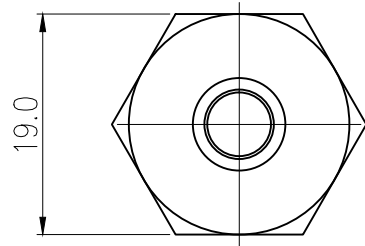




Single barb fitting for 1/4in (6mm) ID tubing. G 1/4 BSPP (parallel) thread. Includes spring clamp for 3/8in (10mm) OD tubing.

General	
Weight	0.03 lb (0.01 kg)
Max Pressure Tolerance @ 25 °C	15kgf/cm2 (213.4psi)
Max Temperature Tolerance	120 °C (248 °F)
Wetted Materials	SUS 316, EPDM



REV	DATE	CONTENTS	REVD BY	CHKD BY	APPD BY
REVISION					

NO.	DESCRIPTION		MATER'L		QUANTITY	REMARKS
<b>KOLANCE</b>			UNIT	MM	ITEM FIT-V06B-SS	
SCALE			N/S		TITLE	
DATE	BY	BY	BY	APPRD BY	6mm G1/4사 호스바브 니플	
3RD ANGLE				CODE NO.	DWG. NO.	PAGE
ys.shin						