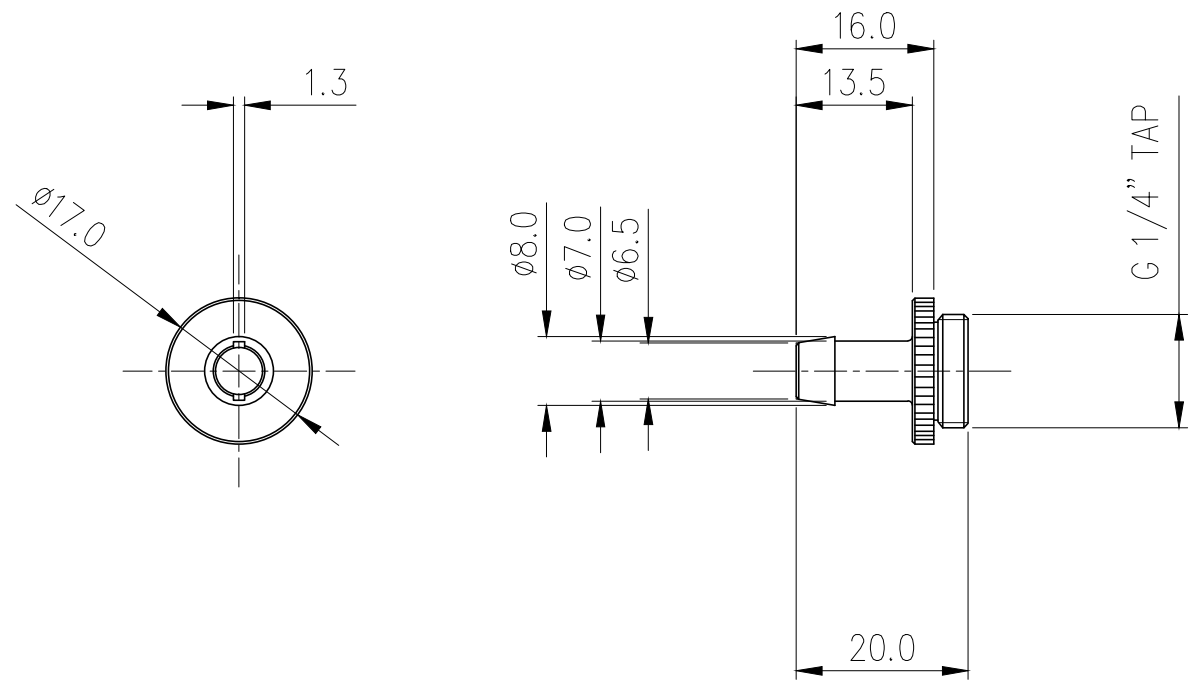



Barb Fitting for ID 06mm (1/4in), G 1/4 BSPP



Single barb fitting for 1/4in (6mm) ID tubing. G 1/4 BSPP (parallel) thread. Includes spring clamp for 3/8in (10mm) OD tubing.

General	
Weight	0.03 lb (0.01 kg)
Fitting Thread	G 1/4 BSPP
Max Pressure Tolerance @ 25° C	15kgf/cm2 (213.4psi)
Max Temperature Tolerance	120° C (248° F)
Wetted Materials	Brass, Nickel Plating, EPDM



NO.	DESCRIPTION				MATER'L		QUANTITY	REMARKS
					UNIT	MM	APPAR	NZL-V06B(-BK)
					SCALE	N/S	TITLE	Ass'y
DATE	BY	BY	BY	APPRO BY	3RD ANGLE			
04/21/2017	S.J.LEE				CODE NO.	DWG. NO.		