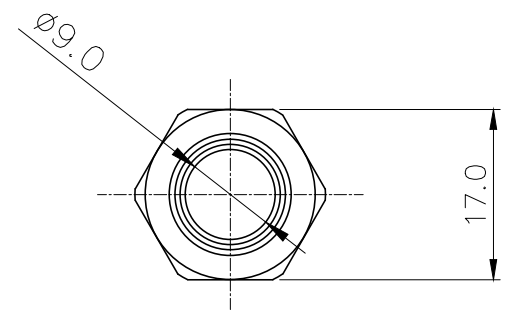
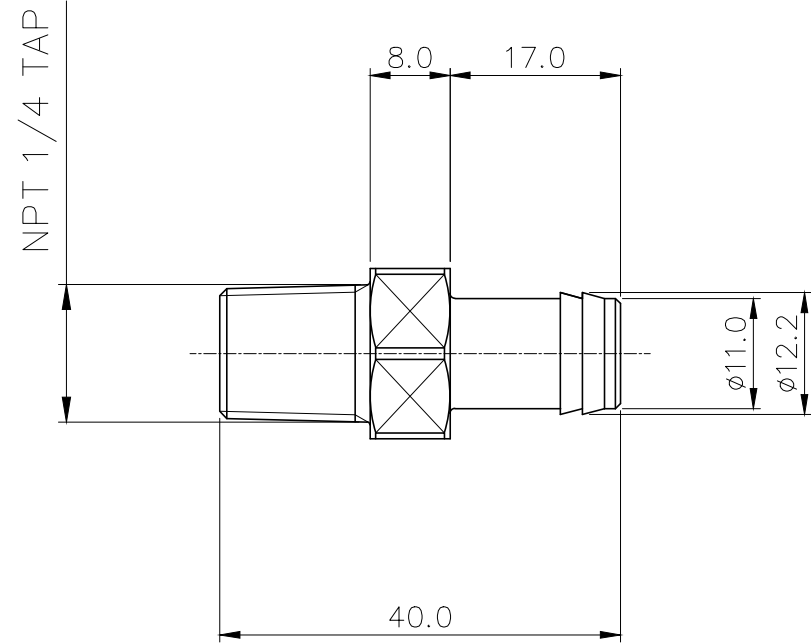




Single hose barb fitting for 3/8in (10mm) ID tubing. 1/4 NPT (tapered) thread. Hose clamp for 1/2in (13mm) OD included.

General	
Weight	0.03 lb (0.01 kg)
Materials	Brass, Nickel Plating, EPDM
Max Pressure Tolerance @ 25° C	15kgf/cm2 (213.4psi)
Max Temp. Operating Tolerance	120° C (248° F)



REV	DATE	CONTENTS	REVD BY	CHKD BY	APPD BY
REVISION					

NO.	DESCRIPTION			MATER'L	QUANTITY	REMARKS
KOLANCE				UNIT	MM	APPAR FIT-V10N14
DATE	BY	BY	BY	SCALE	N/S	TITLE
						Ass'y
	S.J.LEE			3RD ANGLE		
				REF. NO.		DWG. NO.