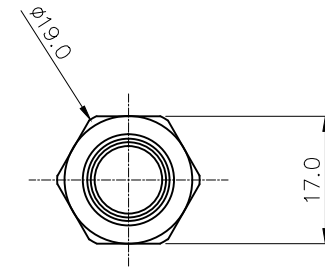
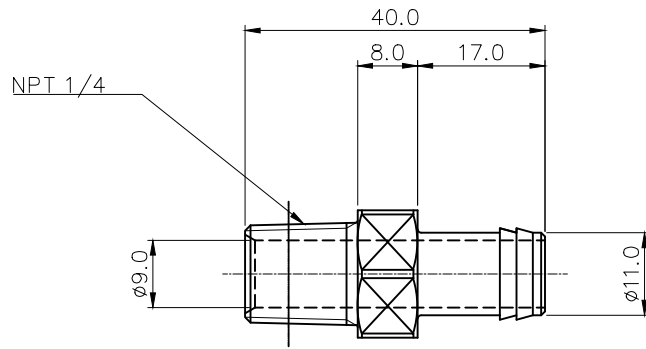
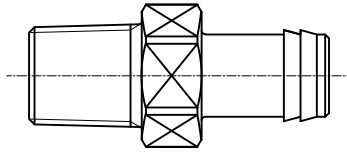




Single hose barb fitting for 3/8in (10mm) ID tubing. 1/4 NPT (tapered) thread. Hose clamp included for 1/2in (13mm) OD tubing.

General	
Weight	0.03 lb (0.01 kg)
Materials	SUS 316, EPDM
Max Pressure Tolerance @ 25 °C	15kgf/cm2 (213.4psi)
Max Temp. Operating Tolerance	120 °C (248 °F)



△					
REV	DATE	CONTENTS	REVD BY	CHKD BY	APPD BY
REVISION					

NO.	DESCRIPTION				MATER'L		QUANTITY	REMARKS
KOLANCE	UNIT		MM		ITEM		FIT-V10N14-SS	
	SCALE		N/S		TITLE		NPT 1/4 10mm 호스버브 노즐	
DATE	BY	BY	BY	APPRD BY	3RD ANGLE		CODE NO.	DWG. NO.
	ys.shin							PAGE
								-