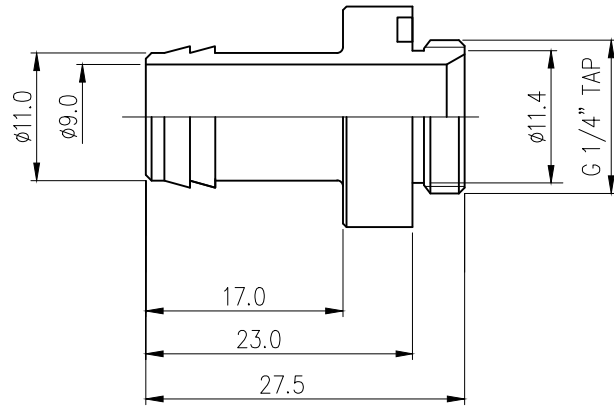
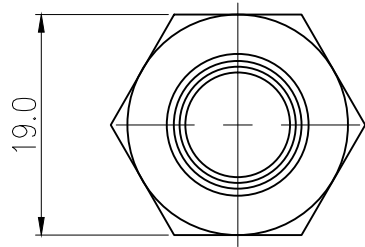




Single hose barb fitting for 3/8in (10mm) ID tubing. G 1/4 BSPP (parallel) thread. Hose clamp included for 1/2in (13mm) OD tubing.

General	
Weight	0.03 lb (0.01 kg)
Materials	SUS 316, EPDM
Max Pressure Tolerance @ 25 °C	15kgf/cm2 (213.4psi)
Max Temp. Operating Tolerance	120 °C (248 °F)



REV	DATE	CONTENTS	REVD BY	CHKD BY	APPD BY
REVISION					

NO.	DESCRIPTION		MATER'L		QUANTITY	REMARKS
<b>KOLANCE</b>			UNIT	MM	ITEM FIT-V10B-SS	
			SCALE	N/S	TITLE	
DATE	BY	BY	BY	APPRD BY	10mm G나사 호스바브 니플	
				3RD ANGLE		
				CODE NO.	DWG. NO.	PAGE
					-	