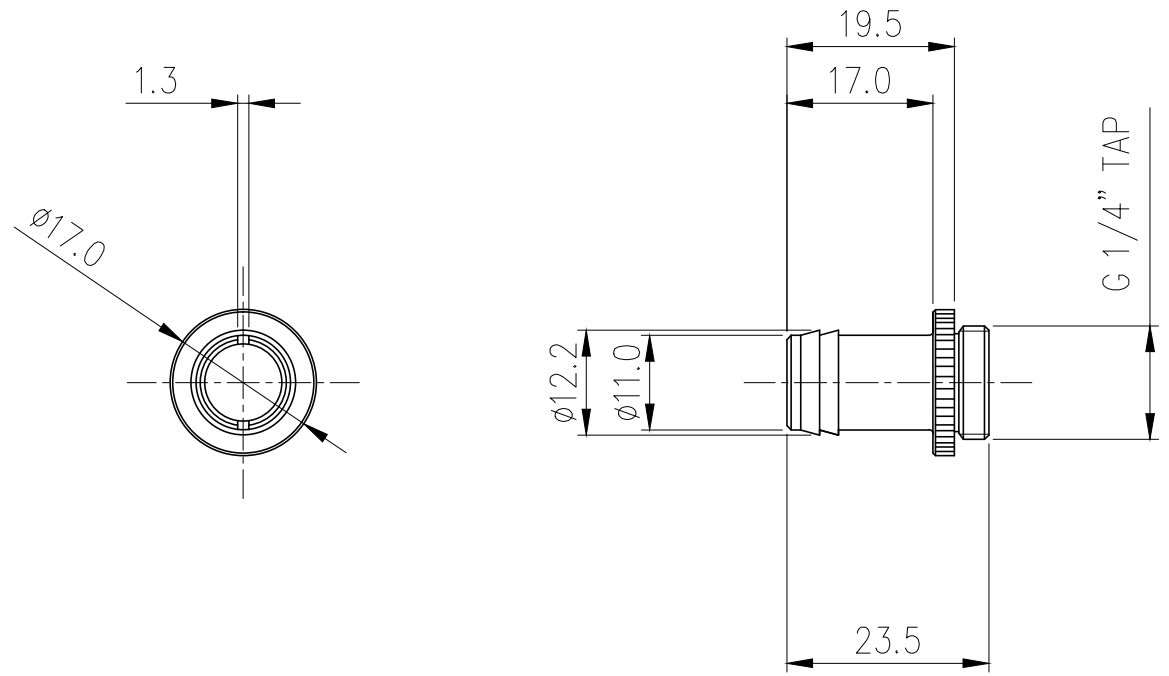


Barb Fitting for ID 10mm (3/8in), G 1/4 BSPP



Single hose barb fitting for 3/8in (10mm) ID tubing. G 1/4 BSPP (parallel) thread. Hose clamp included for 1/2in (13mm) OD tubing.

General	
Weight	0.03 lb (0.01 kg)
Fitting Thread	G 1/4 BSPP
Materials	Brass, Nickel Plating, EPDM
Max Pressure Tolerance @ 25° C	15kgf/cm2 (213.4psi)
Max Temp. Operating Tolerance	120° C (248° F)



NO.	DESCRIPTION	MATER'L		QUANTITY	REMARKS
	KOOLANCE	UNIT	MM	APPAR	NZL-V10B(-BK)
		SCALE	N/S	TITLE	
DATE	BY	BY	APPRO BY	3RD ANGLE	
04/21/2017	S.J.LEE			CODE NO.	DWG. NO.
					Ass'y