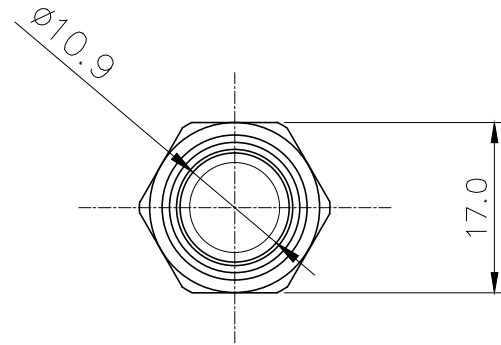
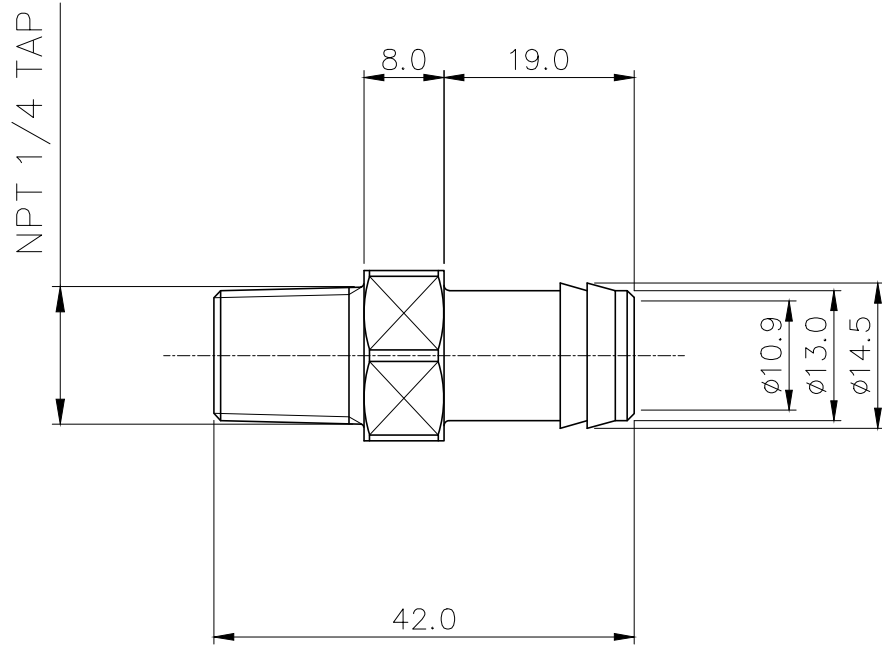




Single hose barb fitting for 1/2in (13mm) ID tubing. 1/4 NPT (tapered) thread. Hose clamp for 5/8in (16mm) OD included.

General	
Weight	0.07 lb (0.03 kg)
Max Pressure Tolerance @ 25° C	15kgf/cm2 (213.4psi)
Max Temperature Tolerance	120° C (248° F)
Wetted Materials	Brass, Nickel Plating, EPDM



REV	DATE	CONTENTS	REVD BY	CHKD BY	APPD BY
REVISION					

NO.	DESCRIPTION			MATER'L	QUANTITY	REMARKS
KOLANCE				UNIT	MM	APPAR FIT-V13N14
DATE				SCALE	N/S	TITLE
BY				3RD ANGLE		Ass'y
S.J.LEE				REF. NO.		
				DWG. NO.		