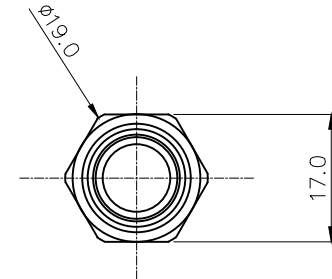
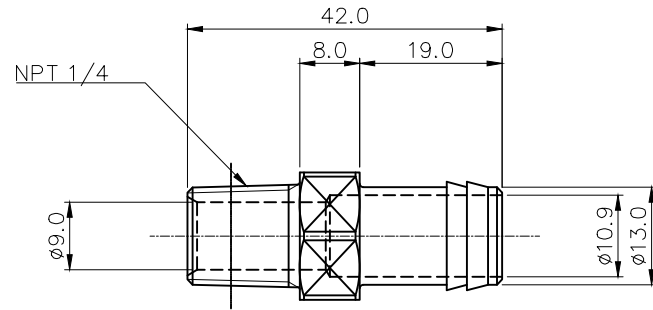
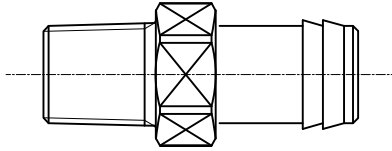




Single barb fitting for 1/2in (13mm) ID tubing. 1/4 NPT (tapered) thread. Spring clamp is included for 5/8in (16mm) OD tubing.

General	
Weight	0.07 lb (0.03 kg)
Max Pressure Tolerance @ 25 °C	15kgf/cm ² (213.4psi)
Max Temperature Tolerance	120 °C (248 °F)
Wetted Materials	SUS 316, EPDM



REV	DATE	CONTENTS	REVD BY	CHKD BY	APPD BY
REVISION					

NO.	DESCRIPTION				MATER'L		QUANTITY	REMARKS
KOLANCE				UNIT	MM	ITEM FIT-V13N14-SS		
				SCALE	N/S		TITLE	
DATE	BY	BY	BY	APPRD BY	3RD ANGLE NPT 1/4 13mm 호스바브 노즐			
	ys.shin				CODE NO.	DWG. NO.	PAGE	
						-		