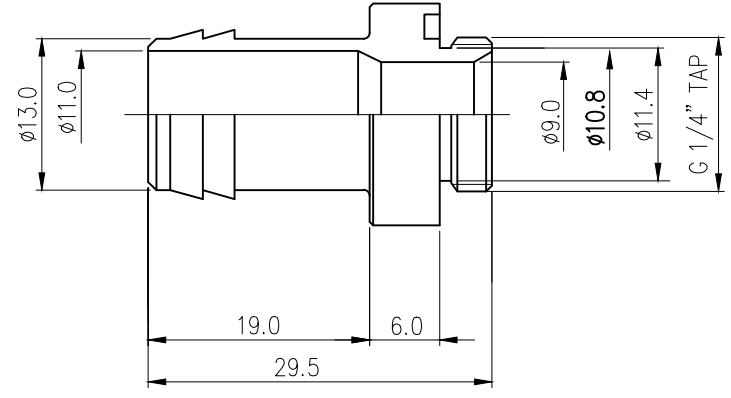
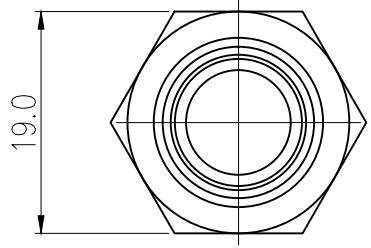




Single hose barb fitting for 1/2in (13mm) ID tubing. G 1/4 BSPP (parallel) thread. Hose clamp is included for 5/8in (16mm) OD tubing.

General	
Weight	0.04 lb (0.02 kg)
Max Pressure Tolerance @ 25 °C	15kgf/cm2 (213.4psi)
Max Temperature Tolerance	120 °C (248 °F)
Wetted Materials	SUS 316, EPDM



REV	DATE	CONTENTS	REVD BY	CHKD BY	APPD BY
REVISION					

NO.	DESCRIPTION	MATER'L		QUANTITY	REMARKS
		UNIT	MM		
KOLANCE		SCALE	N/S	ITEM FIT-V13B-SS	
DATE	BY	BY	BY	APPRD BY	TITLE
					13mm G나사 호스바브 니플
	ys.shin				3RD ANGLE
					CODE NO.
					DWG. NO.
					PAGE