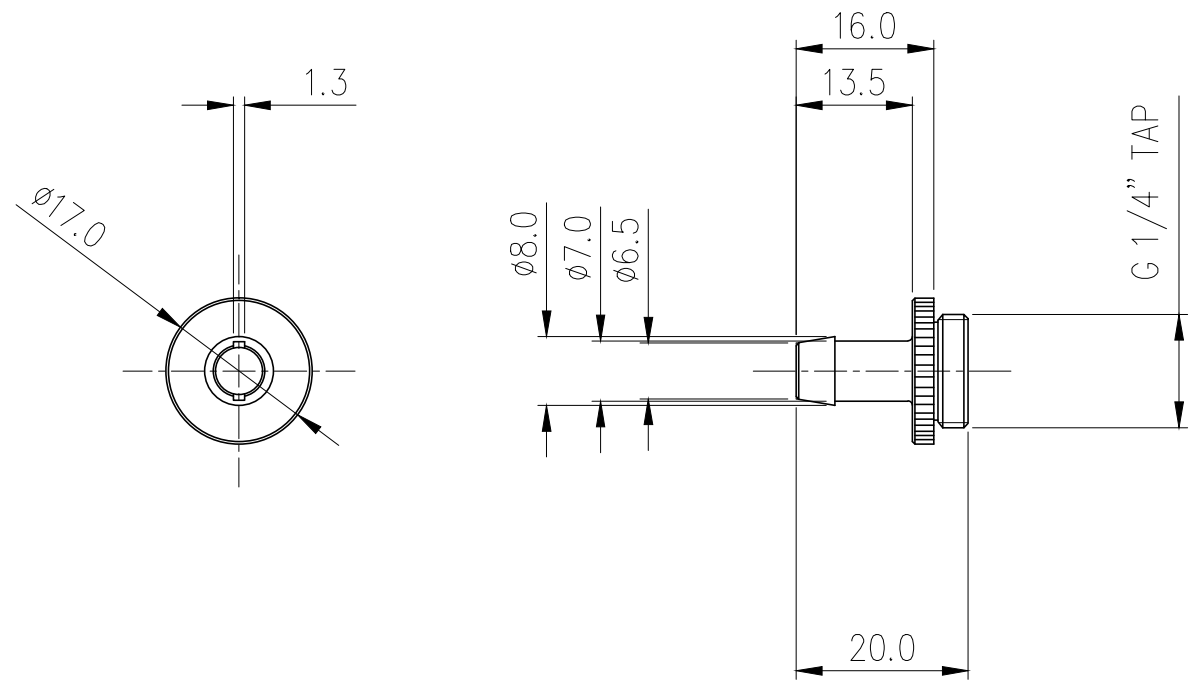




Single barb fitting for 1/4in (6mm) ID tubing. G 1/4 BSPP (parallel) thread. Includes spring clamp for 3/8in (10mm) OD tubing.

General	
Weight	0.05 lb (0.02 kg)
Fitting Thread	G 1/4 BSPP
Max Pressure Tolerance @ 25 °C	15kgf/cm2 (213.4psi)
Max Temperature Tolerance	120 °C (248 °F)
Wetted Materials	Brass, EPDM



NO.	DESCRIPTION	MATER'L		QUANTITY	REMARKS
		UNIT	MM	APPAR	NZL-V06B(-BK)
		SCALE	N/S	TITLE	
DATE	BY	BY	BY	BY	3RD ANGLE
04/21/2017	S.J.LEE				DWG. NO.
					Ass'y