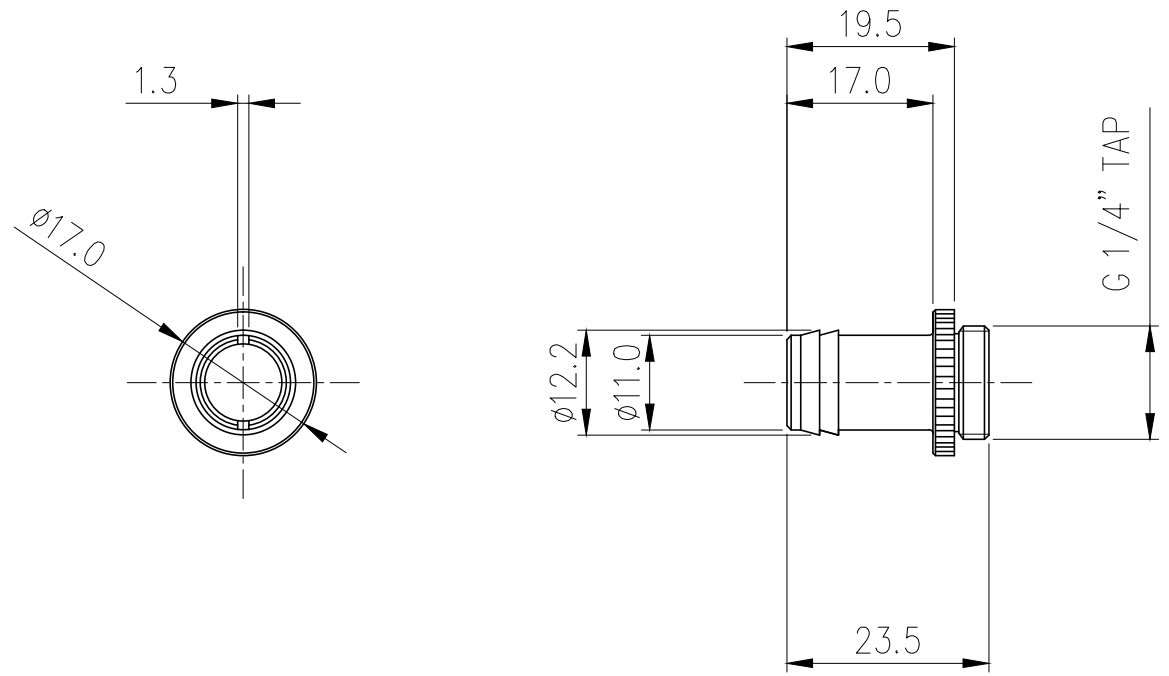




Single hose barb fitting for 3/8in (10mm) ID tubing. G 1/4 BSPP (parallel) thread. Includes hose clamp for 1/2in (13mm) OD tubing.

| General | |
|--------------------------------|----------------------|
| Weight | 0.03 lb (0.01 kg) |
| Fitting Thread | G 1/4 BSPP |
| Materials | Brass, EPDM |
| Max Pressure Tolerance @ 25 °C | 15kgf/cm2 (213.4psi) |
| Max Temp. Operating Tolerance | 120 °C (248 °F) |



| NO. | DESCRIPTION | MATER'L | | QUANTITY | REMARKS |
|------------|-----------------|---------|-----|----------|---------------|
| | KOOLANCE | UNIT | MM | APPAR | NZL-V10B(-BK) |
| | | SCALE | N/S | TITLE | |
| DATE | BY | BY | BY | BY | 3RD ANGLE |
| 04/21/2017 | S.J.LEE | | | | DWG. NO. |
| | | | | | Ass'y |