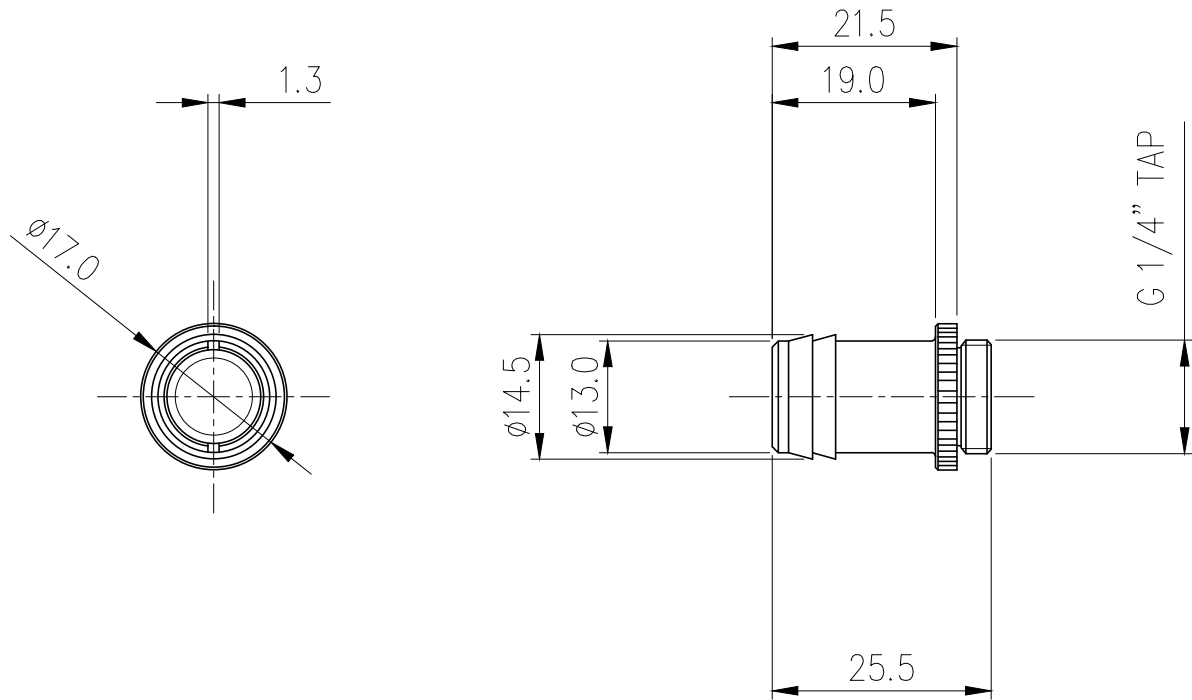




Single barb fitting for 1/2in (13mm) ID tubing. G 1/4 BSPP (parallel) thread. Spring clamp for 5/8in (16mm) OD tubing included.

General	
Weight	0.04 lb (0.02 kg)
Fitting Thread	G 1/4 BSPP
Max Pressure Tolerance @ 25 °C	15kgf/cm2 (213.4psi)
Max Temperature Tolerance	120 °C (248 °F)
Wetted Materials	Brass, EPDM



NO.	DESCRIPTION	MATER'L		QUANTITY	REMARKS
	<b>KOOLANCE</b>	UNIT	MM	APPAR	NZL-V13B(-BK)
		SCALE	N/S	TITLE	
DATE	BY	BY	BY	BY	3RD ANGLE
04/21/2017	S.J.LEE				DWG. NO.
					Ass'y