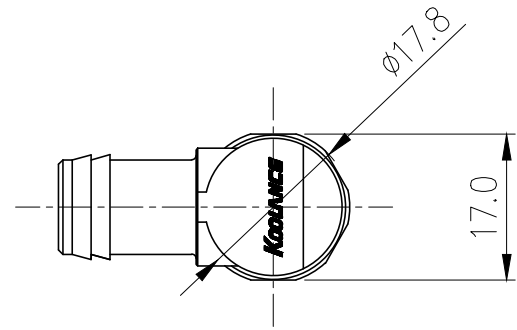
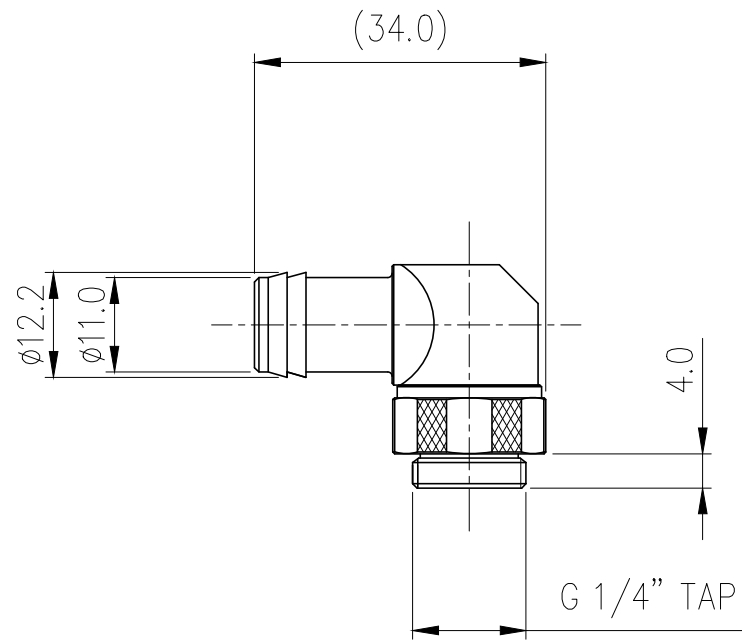
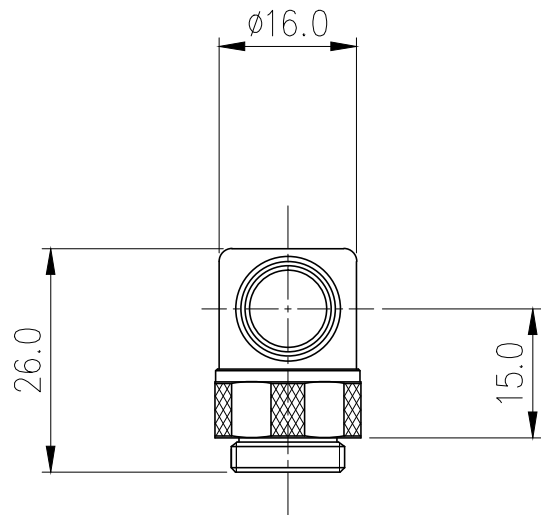


**Rotary Elbow Barb Fitting for ID 10mm (3/8in)  
\*Black\*, G 1/4 BSPP**



Single rotational angled fitting barb for 3/8in (10mm) ID tubing. G 1/4 BSPP (parallel) thread. Made of brass and includes spring clamp.

General	
Weight	0.08 lb (0.04 kg)
Fitting Thread	G 1/4 BSPP
Max Pressure Tolerance @ 25°C	8kgf/cm <sup>2</sup> (113.8psi)
Max Temperature Tolerance	100°C (212°F)
Wetted Materials	Brass, EPDM



NO.	DESCRIPTION				MATER'L		QUANTITY	REMARKS
					UNIT	MM	APPAR	NZL-L10B(-BK)
					SCALE	N/S	TITLE	Ass'y
DATE	BY	BY	BY	APPRO BY	3RD ANGLE			
04/13/2017	S.J.LEE				CODE NO.	DWG. NO.		