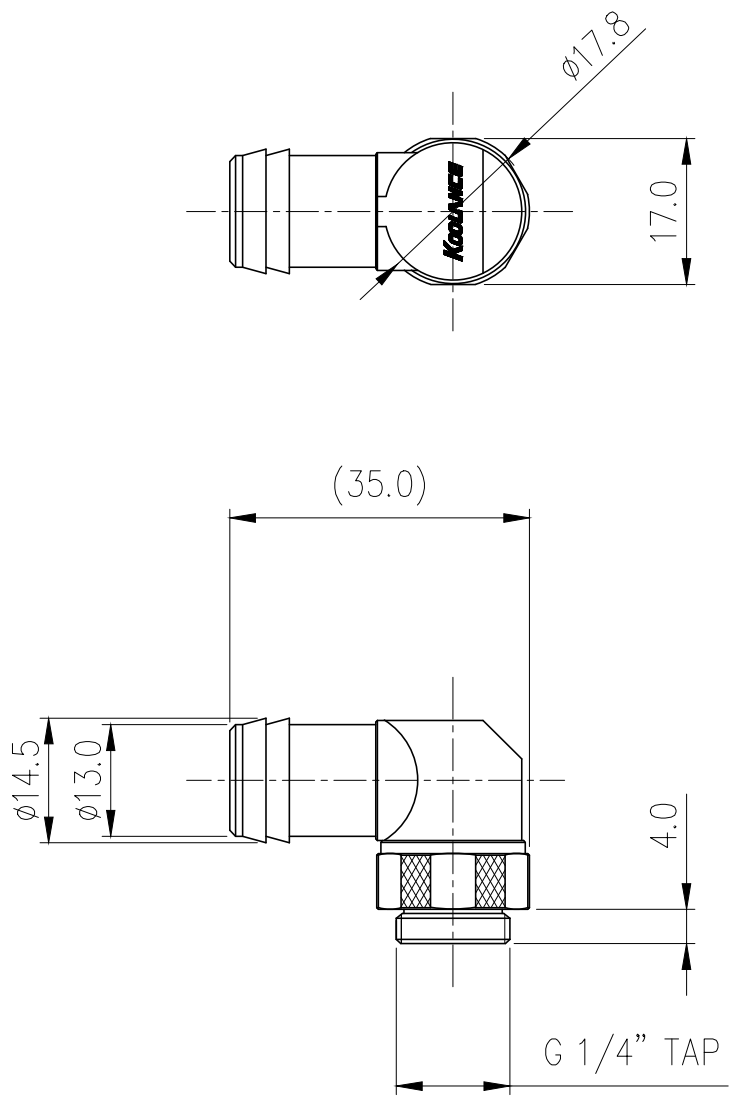
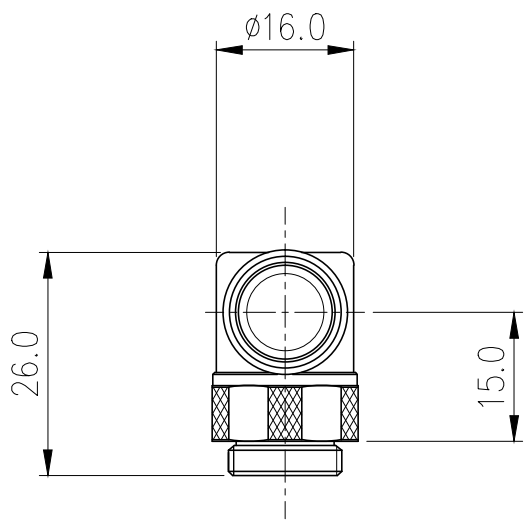



**Rotary Elbow Barb Fitting for ID 13mm (1/2in)
Black, G 1/4 BSPP**



Single rotational angled fitting barb for 1/2in (13mm) ID tubing. G 1/4 BSPP (parallel) thread. Hose clamp included for 5/8in (16mm) OD tubing.

General	
Weight	0.09 lb (0.04 kg)
Fitting Thread	G 1/4 BSPP
Max Pressure Tolerance @ 25°C	8kgf/cm2 (113.8psi)
Max Temperature Tolerance	100°C (212°F)
Wetted Materials	Brass, EPDM



NO.	DESCRIPTION	MATER'L		QUANTITY	REMARKS
		UNIT	MM	APPAR	NZL-L13B(-BK)
		SCALE	N/S	TITLE	
DATE	BY	BY	APPRO BY	3RD ANGLE	
04/13/2017	S.J.LEE			CODE NO.	DWG. NO.
					Ass'y