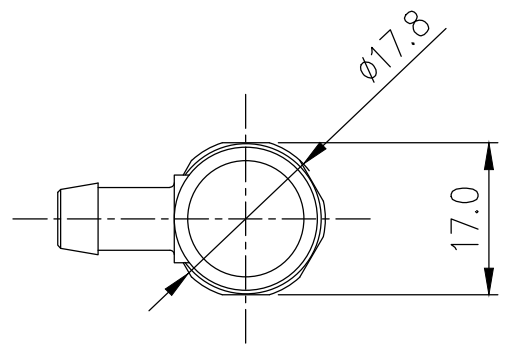
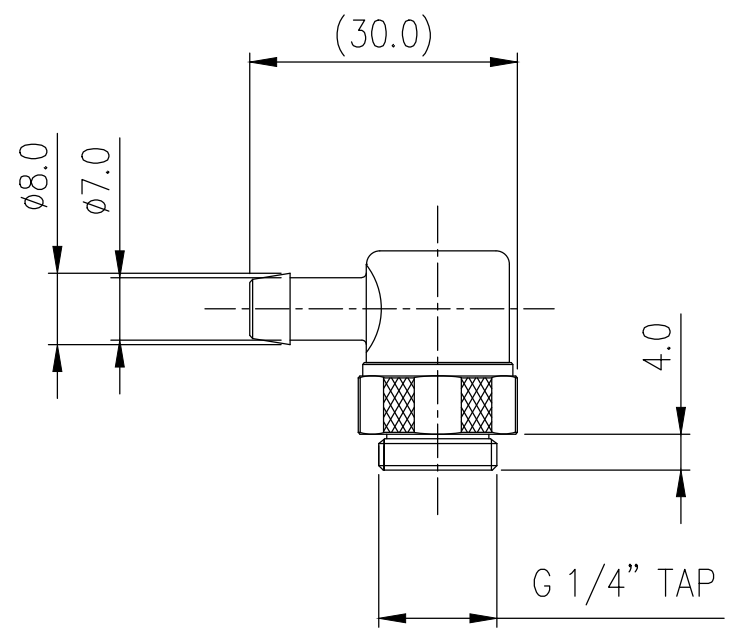
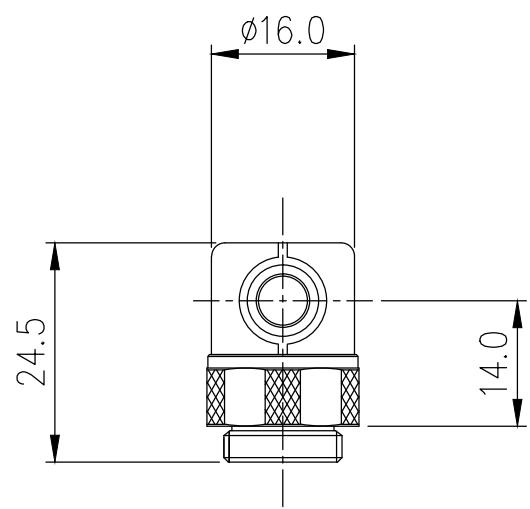


Rotary Elbow Barb Fitting for ID 06mm (1/4in),
G 1/4 BSPP



Single rotational angled fitting barb for 1/4in (6mm) ID tubing.
G 1/4 BSPP (parallel) thread.

General	
Weight	0.07 lb (0.03 kg)
Fitting Thread	G 1/4 BSPP
Max Pressure Tolerance @ 25° C	8kgf/cm2 (113.8psi)
Max Temperature Tolerance	100° C (212° F)
Wetted Materials	Brass, Nickel Plating, EPDM



NO.	DESCRIPTION				MATER'L		QUANTITY	REMARKS
					UNIT	MM		
	KOOLANCE				SCALE	N/S	APPAR	NZL-L06B(-BK)
DATE					BY	BY	BY	APPRO
04/13/2017	S.J.LEE					3RD ANGLE		
						CODE NO.	DWG. NO.	