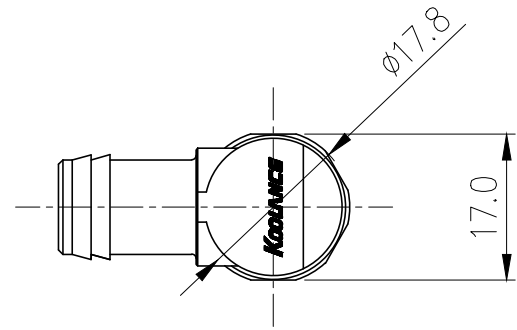
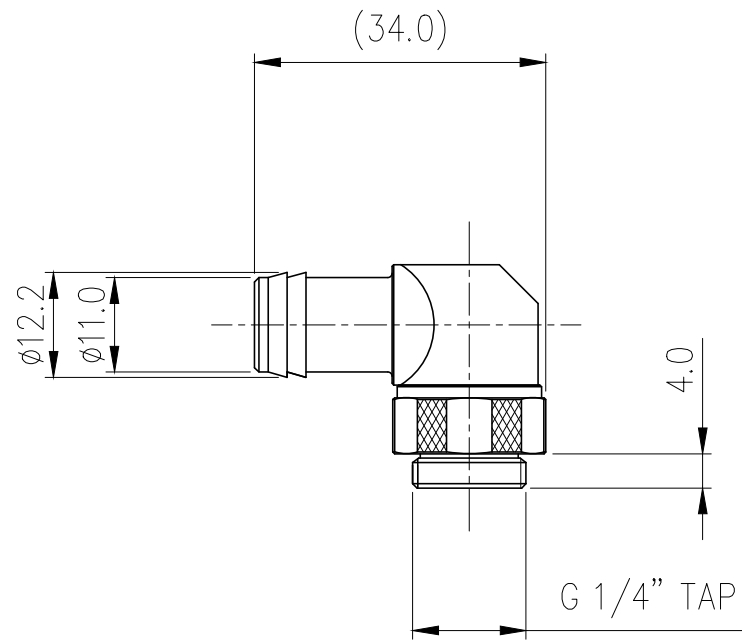
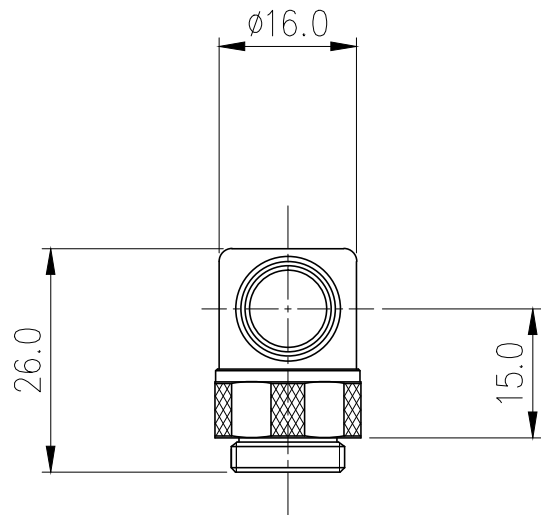


Rotary Elbow Barb Fitting for ID 10mm (3/8in),
G 1/4 BSPP



Single rotational angled fitting barb for 3/8in (10mm) ID tubing. G 1/4 BSPP (parallel) thread. Spring clamp included for 1/2in (13mm) OD tubing.

General	
Weight	0.08 lb (0.04 kg)
Fitting Thread	G 1/4 BSPP
Max Pressure Tolerance @ 25° C	8kgf/cm ² (113.8psi)
Max Temperature Tolerance	100° C (212° F)
Wetted Materials	Brass, Nickel Plating, EPDM



NO.	DESCRIPTION				MATER'L		QUANTITY	REMARKS
					UNIT	MM	APPAR	NZL-L10B(-BK)
					SCALE	N/S	TITLE	Ass'y
DATE	BY	BY	BY	APPRO BY	3RD ANGLE			
04/13/2017	S.J.LEE				CODE NO.	DWG. NO.		