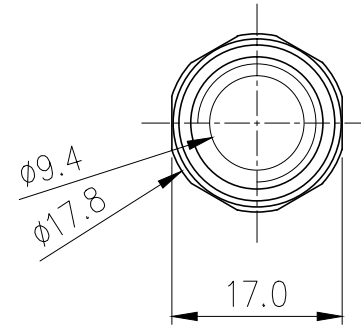
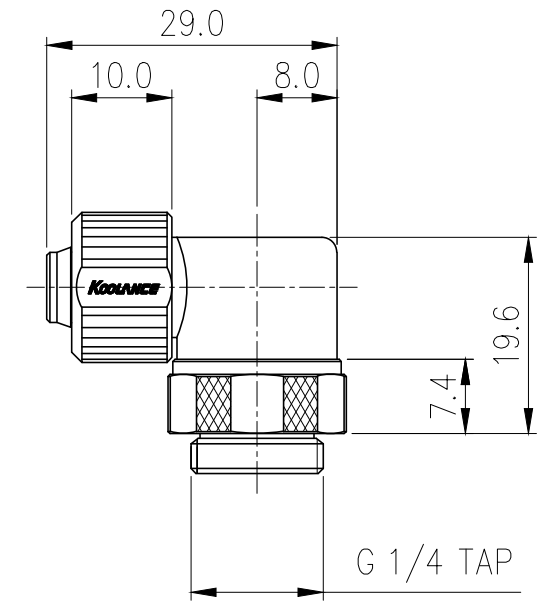
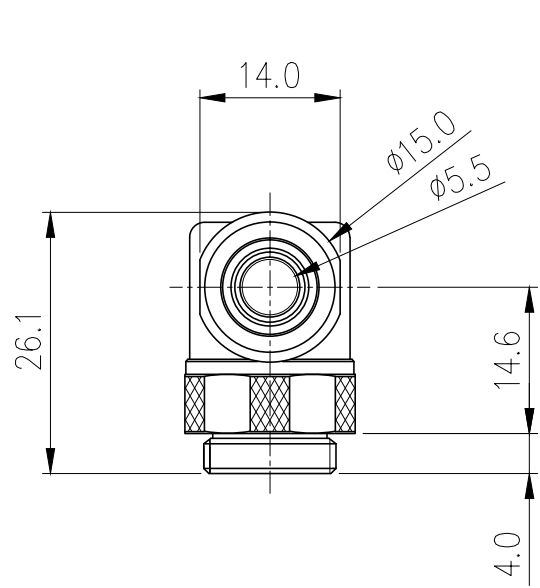


Rotary Elbow Compression Fitting for 06mm x
10mm (1/4in x 3/8in)



Single rotational angled fitting for 1/4in (6mm) ID, 3/8in (10mm) OD tubing. G 1/4 BSPP (parallel) thread.

General	
Weight	0.09 lb (0.04 kg)
Max Pressure Tolerance @ 25° C	8kgf/cm2 (113.8psi)
Max Temperature Tolerance	100° C (212° F)
Wetted Materials	Brass, Nickel Plating, EPDM



REV	DATE	CONTENTS	REVD BY	CHKD BY	APPD BY
REVISION					

NO.	DESCRIPTION			MATER'L		QUANTITY	REMARKS
KOOLANCE			UNIT	MM	APPAR	NZL-L06	
DATE			BY	BY	BY	SCALE	N/S
						3RD ANGLE	Ass'y
			S.J.LEE			REV. NO.	DWG. NO.
						20	