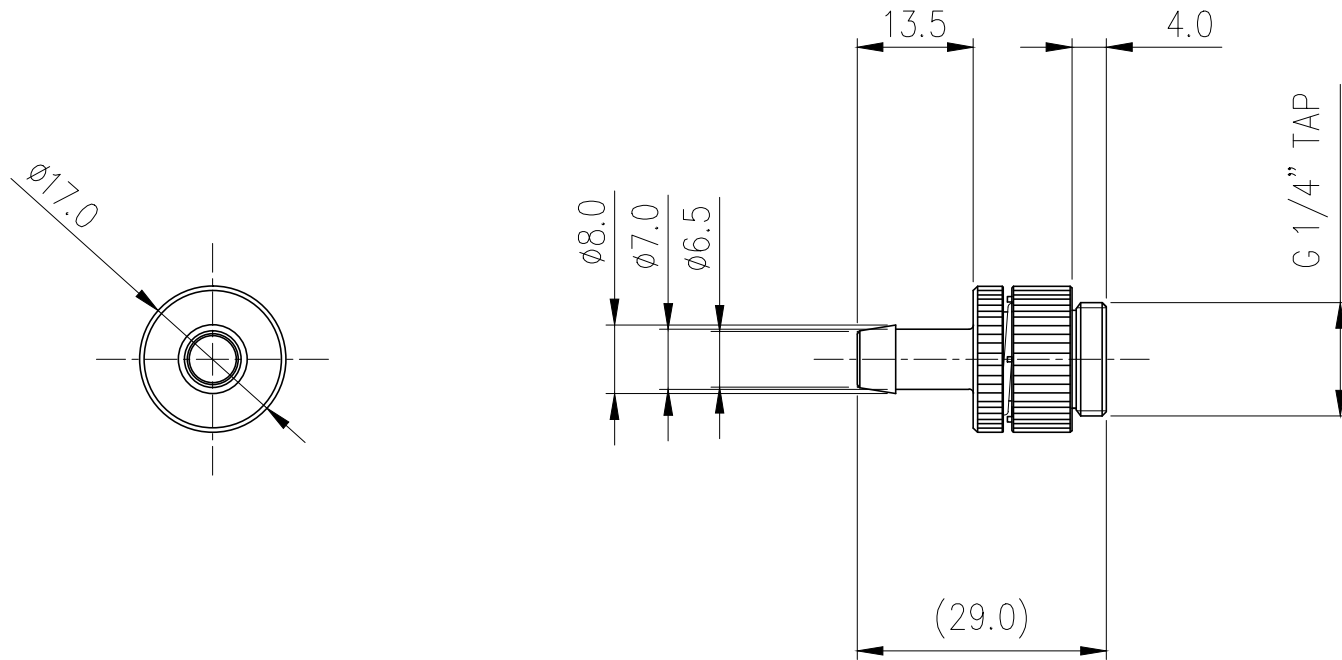


Swivel/Lock Barb Fitting for ID 06mm (1/4in), G
1/4 BSPP



Single hose barb fitting for 1/4in (6mm) ID tubing. This fitting swivels to relieve hose stress and accidental loosening. To tighten or untighten, simply push in on the fitting and twist. G 1/4 BSPP (parallel) thread. Hose clamp included for 3/8in (10mm) OD tubing.

General	
Weight	0.04 lb (0.02 kg)
Fitting Thread	G 1/4 BSPP
Materials	Brass, Nickel Plating, EPDM
Max Pressure Tolerance @ 25° C	8kgf/cm2 (113.8psi)
Max Temp. Operating Tolerance	100° C (212° F)



NO.	DESCRIPTION	MATER'L		QUANTITY	REMARKS
	KOOLANCE	UNIT	MM	APPAR	NZL-V06BS
		SCALE	N/S	TITLE	Ass'y
DATE	BY	BY	BY	APPRO	BY
04/22/2017	S.J.LEE				
				3RD ANGLE	
				CODE NO.	DWG. NO.