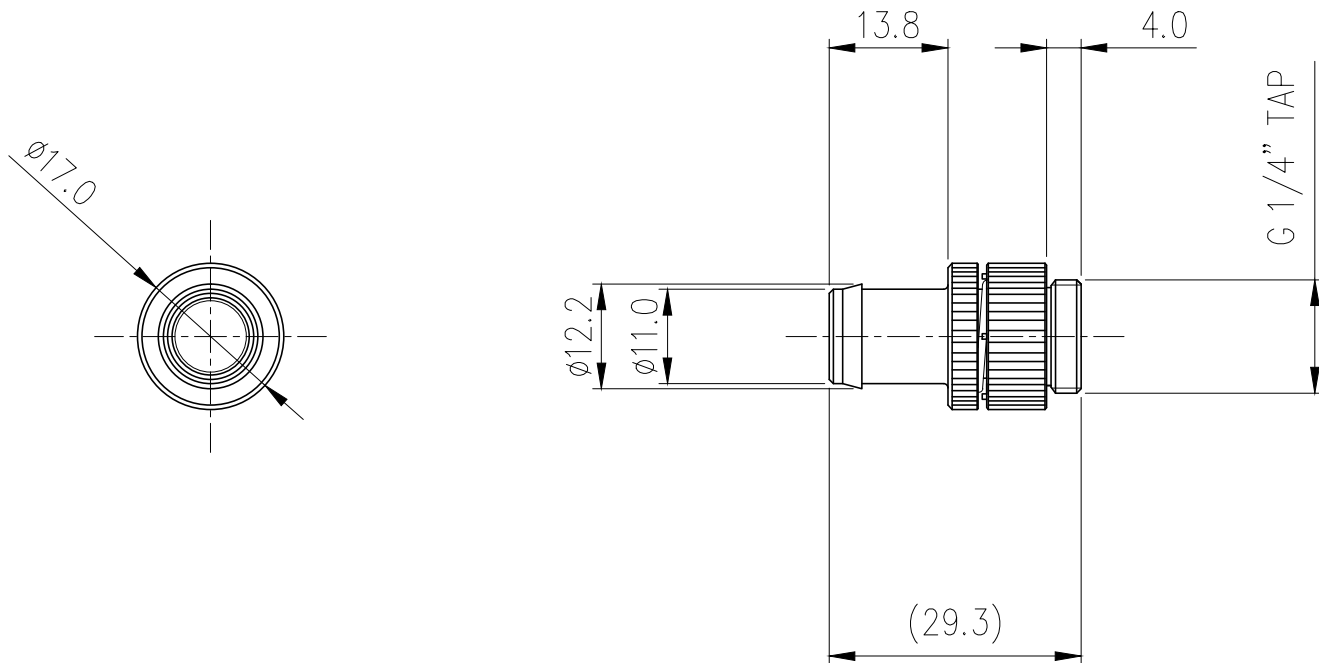



Swivel/Lock Barb Fitting for ID 10mm (3/8in), G
1/4 BSPP



Single hose barb fitting for 3/8in (10mm) ID tubing. This fitting swivels to relieve hose stress and accidental loosening. To tighten or untighten, simply push in on the fitting and twist. G 1/4 BSPP (parallel) thread. Hose clamp included for 1/2in (13mm) OD tubing.

General	
Weight	0.05 lb (0.02 kg)
Fitting Thread	G 1/4 BSPP
Materials	Brass, Nickel Plating, EPDM
Max Pressure Tolerance @ 25° C	8kgf/cm2 (113.8psi)
Max Temp. Operating Tolerance	100° C (212° F)



NO.	DESCRIPTION				MATER'L		QUANTITY	REMARKS
					UNIT	MM	APPAR	NZL-V10BS
					SCALE	N/S	TITLE	Ass'y
DATE	BY	BY	BY	APPRO BY	3RD ANGLE			
04/22/2017	S.J.LEE				CODE NO.	DWG. NO.		