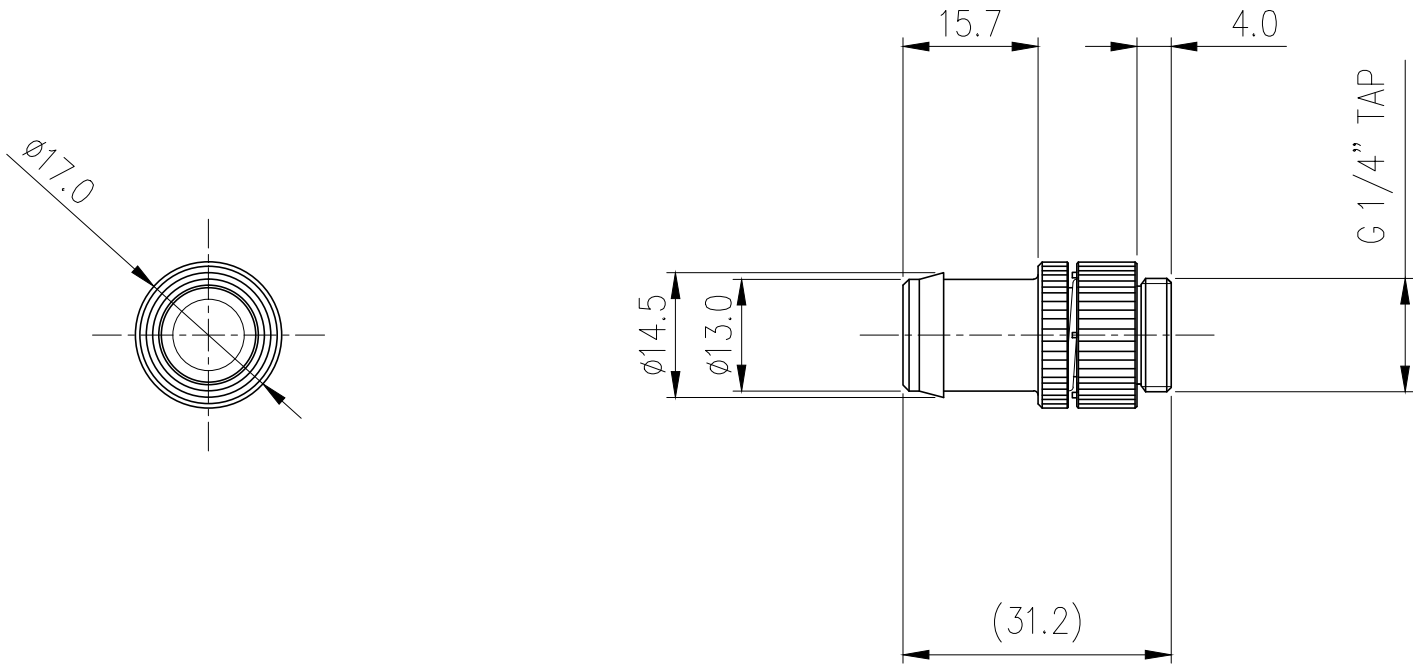


Swivel/Lock Barb Fitting for ID 13mm (1/2in), G
1/4 BSPP



Single barb fitting for 1/2in (13mm) ID tubing. This fitting swivels to relieve hose stress and accidental loosening. To tighten or untighten, simply push in on the fitting and twist. G 1/4 BSPP (parallel) thread. Spring clamp included for 5/8in (16mm).

| General | |
|--------------------------------|-----------------------------|
| Weight | 0.06 lb (0.03 kg) |
| Fitting Thread | G 1/4 BSPP |
| Max Pressure Tolerance @ 25 °C | 8kgf/cm2 (113.8psi) |
| Max Temperature Tolerance | 100 °C (212 °F) |
| Wetted Materials | Brass, Nickel Plating, EPDM |



| NO. | DESCRIPTION | MATER'L | | QUANTITY | REMARKS |
|------------|-----------------|---------|-----|----------|-----------|
| | KOOLANCE | UNIT | MM | APPAR | NZL-V13BS |
| | | SCALE | N/S | TITLE | Ass'y |
| DATE | BY | BY | BY | APPRO BY | 3RD ANGLE |
| 04/22/2017 | S.J.LEE | | | | CODE NO. |
| | | | | | DWG. NO. |