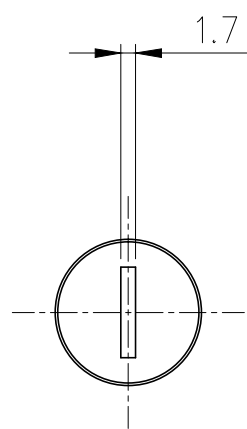
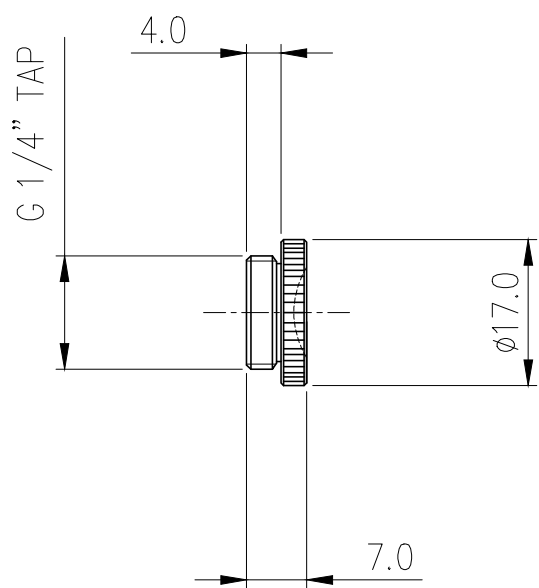




Fitting socket plug for G 1/4 BSPP Koolance threaded connections. Made of brass.

General	
Weight	0.03 lb (0.01 kg)
Fitting Thread	G 1/4 BSPP
Max Pressure Tolerance @ 25° C	15kgf/cm2 (213.4psi)
Max Temperature Tolerance	120° C (248° F)
Wetted Materials	Brass, EPDM



NO.	DESCRIPTION	MATER'L	QUANTITY	REMARKS
		UNIT	MM	PART NO. SCR-CP003PG(-BK)
		SCALE	N/S	TITLE
DATE	BY	BY	APPRO BY	3RD ANGLE
05/02/2017	S.J.LEE			DWG. NO.
				ITEM

Ass'y