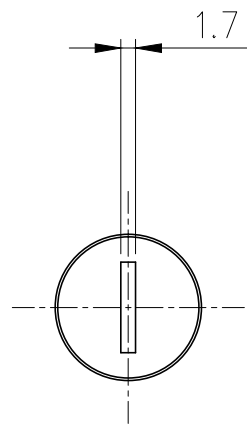
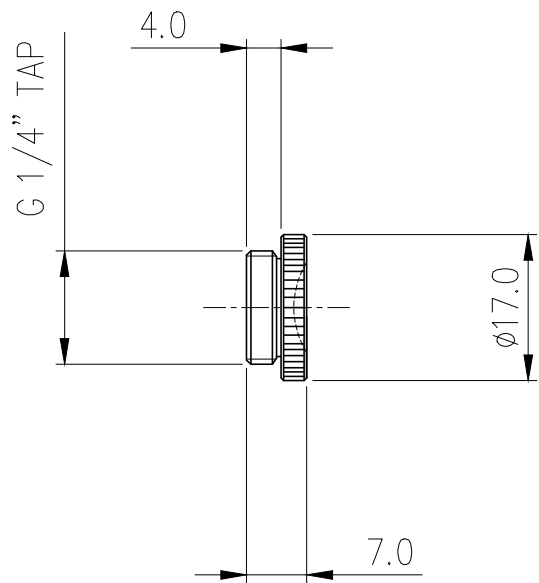





Fitting socket screw plug and gasket for G 1/4 BSPP  
Koolance threaded connections. Nickel-plated brass.

General	
Weight	0.03 lb (0.01 kg)
Fitting Thread	G 1/4 BSPP
Max Pressure Tolerance @ 25 °C	15kgf/cm2 (213.4psi)
Max Temperature Tolerance	120 °C (248 °F)
Wetted Materials	Brass, Nickel Plating, EPDM



NO.	DESCRIPTION	MATER'L		QUANTITY	REMARKS
		UNIT	MM	PART NO. SCR-CP003PG(-BK)	
		SCALE	N/S	TITLE	
DATE	BY	BY	APPRO BY	3RD ANGLE	
05/02/2017	S.J.LEE			DWG. NO.	ITEM
					Ass'y