

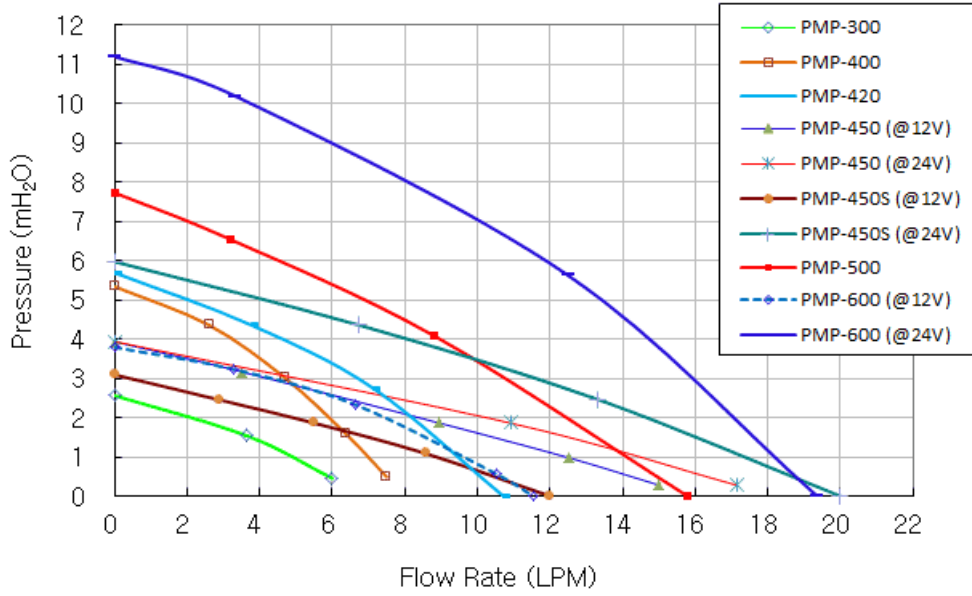


The Koolance PMP-500 offers a high flow rate and very high static head pressure at just 12V. A mounting bracket is included.

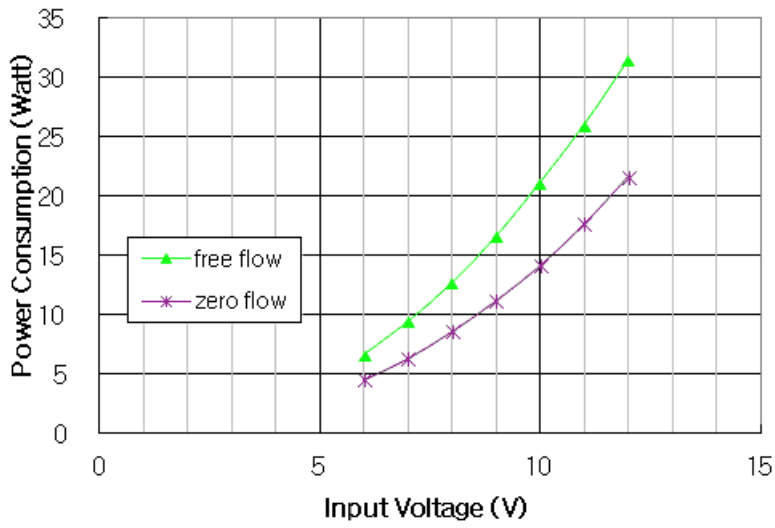
- Maximum Flow Rate: 16L/min (4.2 gal/min)
- Maximum Head Pressure: 7.5m (24.6ft)
- Motor: Brushless DC
- Power Consumption (at max): 32W
- Voltage Range: 6 to 12 VDC
- Maximum Temperature: 75°C (167°F)
- Electrical Connector: 4-pin Molex power supply connection + 3-pin (single lead) tach
- Hose Connections: G 1/4 BSPP Threads
- Noise: Less than 50dBA
- Weight: 454g (1lbs)

General	
Weight	1.20 lb (0.54 kg)
Fitting Thread	G 1/4 BSPP
Materials	PPE, Carbon, Ceramic, EPDM, ABS, POM, Ferrite
Max Pressure Tolerance @ 25°C	1.5kgf/cm2 (21.3psi)
Max Temp. Operating Tolerance	75°C (167°F)
Pumps	
Expected Lifetime	30,000 hrs. MTBF
Max Flow Rate	16L/min (4.2GPM)
Max Power	32W
Max Static Head	7.5m (24.6ft)
Native Hose Connection	G 1/4 BSP Threads
Speed Knob	no
Tachometer	yes
Type	Magnetic Centrifugal
Voltage	6-12 VDC

Flow Rate vs. Head Pressure



PMP-500

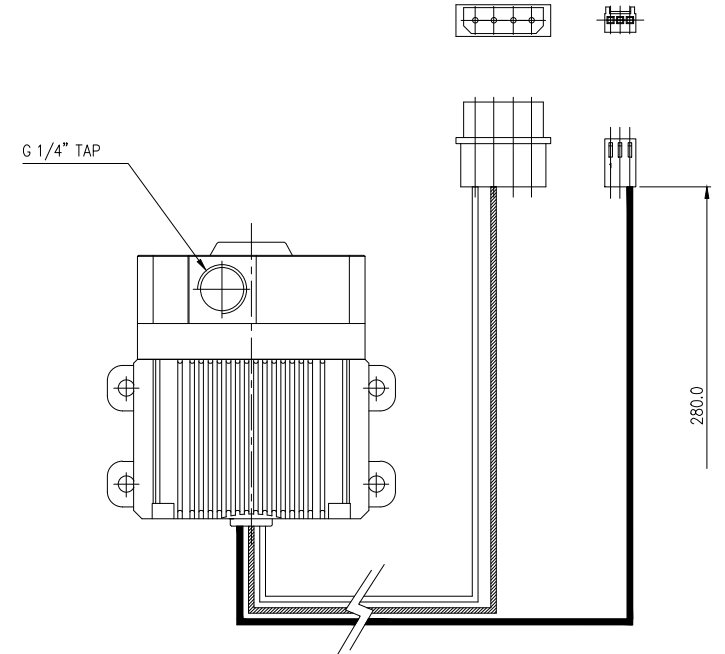
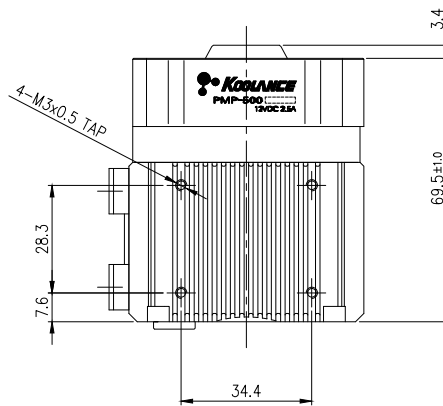
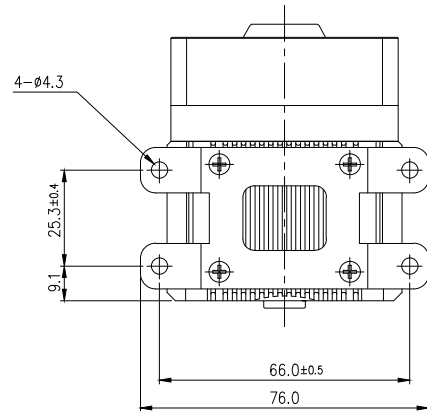
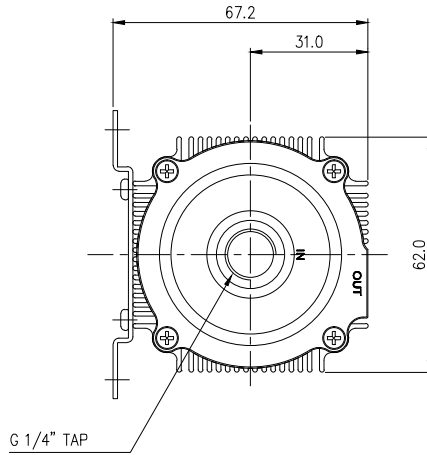
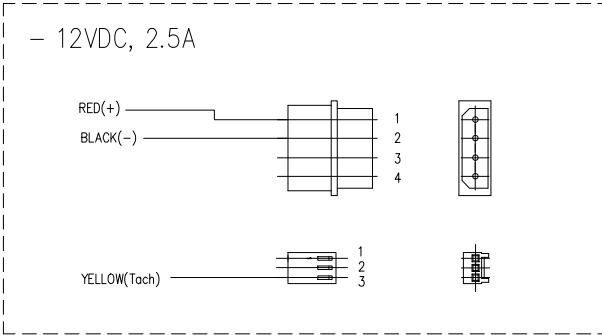


< 4 pin CONNECTOR >

- Housing : ALEX 6060-04 (or Equivalent)
- Terminal : ALEX 62T (or Equivalent)

< 3pin CONNECTOR >

- Housing : Molex 5051-03 (or Equivalent)
- Terminal : Molex 5159 (or Equivalent)



REV	DATE	CONTENTS	REV'D BY	CHK'D BY	APP'D BY
△	MAY.18.2021	CHANGED VDC SPEC.	S.J.LEE		J.S.PARK
REVISION					

NO.	DESCRIPTION	PART NO.	QTY.	REMARKS	
	KOOLANCE	UNIT	MM	ITEM Pump	
		SCALE	N/S	TITLE Assy	
DATE		BY	BY	BY	APPRO BY
MAR.25.2021	S.J.LEE			J.S.PARK	3RD ANGLE
					KK CODE NO. PMP-500
					DRAWING NO. -
					REV -