

EXC-900 Refrigeration Liquid Chiller (110VAC /60Hz Only)



Koolance's EXC-900 is a compressor-refrigerant recirculating liquid chiller rated at 900W, or 3071 BTU/hr (@25° C liquid & ambient). Chiller control is based on one of four configurable temperature set-points, including the option to lock liquid to ambient for avoiding condensation or to an external K-type thermocouple sensor (not included).

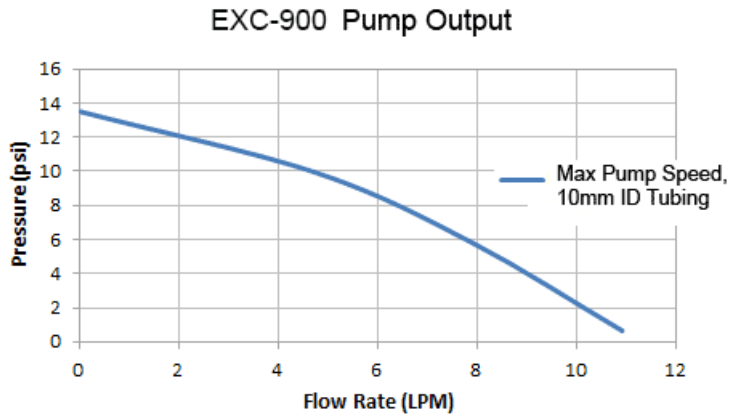
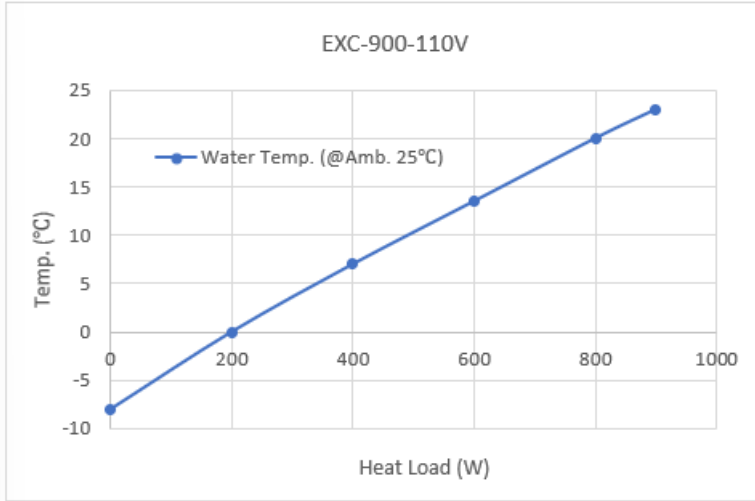
Coolant flow rate, temperature, and reservoir level are monitored, and a USB port allows control and logging of most features using the [Koolance System Monitor](#) application. A 0-5V differential voltage output is also provided for industrial process monitoring.

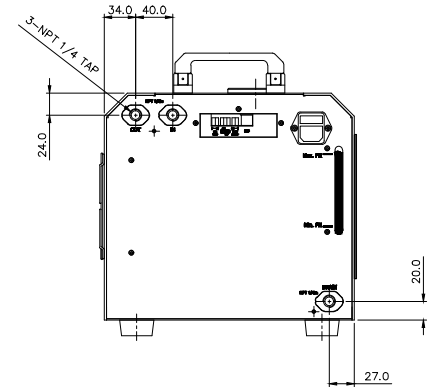
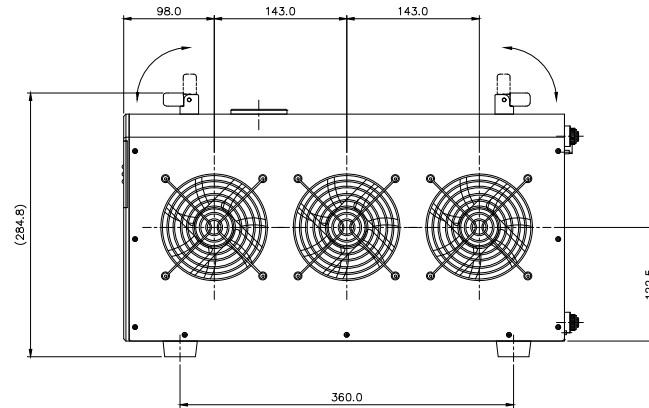
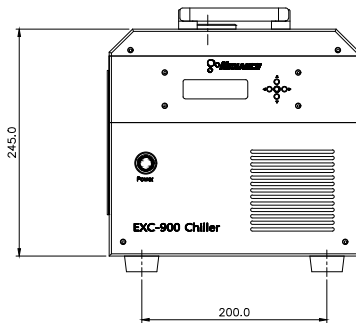
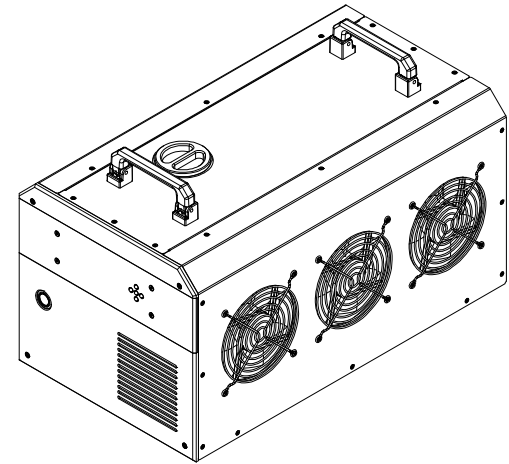
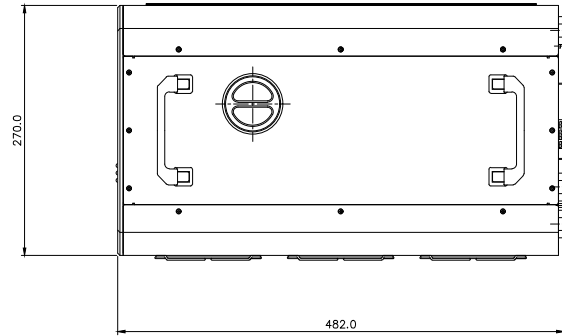
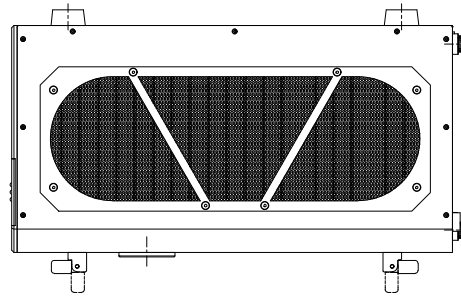
- Cooling capacity: 900W (3071BTU/hr) @ 25° C liquid/ambient
- Temperature options: liquid set-point, external thermocouple set-point, liquid and ambient delta-T, external thermocouple and ambient delta-T; toggle °C/°F
- Pump: 10 manual levels, up to 11LPM (2.9 GPM)
- Select only values you want displayed on the front 2-line OLED display (fixed or rotating)
- Show pump impeller speed in RPM
- Show coolant flow rate in LPM/GPM
- Show condenser fan speed in RPM
- Adjust audio alarm and relay trigger (NO or NC) based on: temperature, flow rate, coolant level, pump RPM, and condenser fan RPM
- Refrigerant: R-134a
- Maximum power consumption @ ambient (approximate): 450W @ 25° C, 650W @ 35° C
- Designed for an operational temperature range of 0-40° C (ambient and liquid)
- Reservoir capacity: 3 liters
- NPT 1/4in threads on back for fittings
- Includes C13 to NEMA 5-15 power cord

NOTE: Requires 110VAC, 60Hz input power. Keep unit upright at all times, and for at least 24 hours before applying power to ensure sufficient oil reaches the compressor.

General	
Weight	47.20 lb (21.41 kg)
Fitting Thread	NPT 1/4in
Max Pressure Tolerance @ 25° C	2kgf/cm2 (28.5psi)
Max Temperature Tolerance	40° C (104° F)
Min Temperature Tolerance (*No Freezing)	-20° C (-4° F)
Noise (dBA)	44-53
Cooling Systems	
Cooling Capacity	900W (3071BTU/hr) @ 25° C liquid & ambient (0° C dT)

General	
Display Type	OLED
Max Flow Rate (10-13mm ID)	11LPM (2.9 GPM)
Max Power Consumption	450W @25°C, 650W @35°C
Max Static Pressure (10-13mm ID)	0.9kgf/cm2 (13.2psi)
Power Source	110 VAC, 60Hz
Temperature Sensors	Liquid & One K-Type Thermocouple (optional)
Temperature Stability	+/-1°C





NO.	DESCRIPTION				MATER'L		QUANTITY	REMARKS
					UNIT	MM	ITEM	EXC-900-110V(-220V)
					SCALE	N/S	TITLE	Ass'y
DATE	BY	BY	BY	APPRO	BY	3RD ANGLE		
MAR.13.2026	S.J.LEE					CODE NO.	DWG. NO.	PAGE