

CPU-390A Water Block, Acrylic Top (AMD Processor)

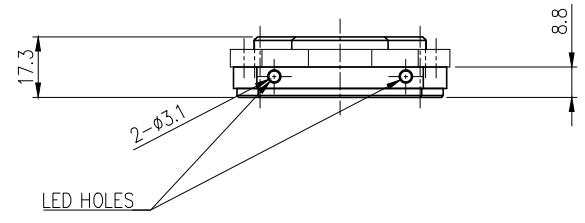
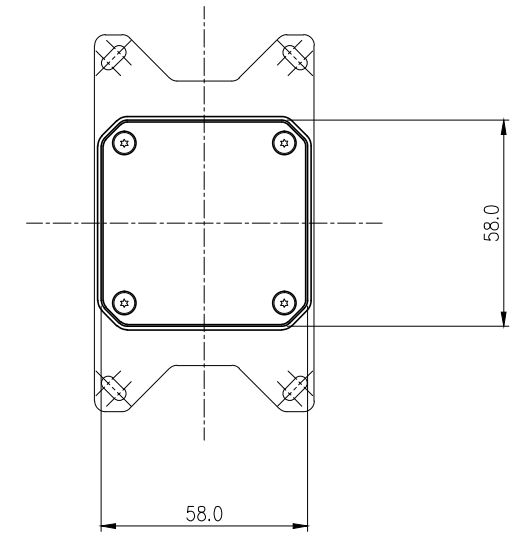
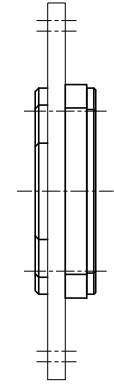
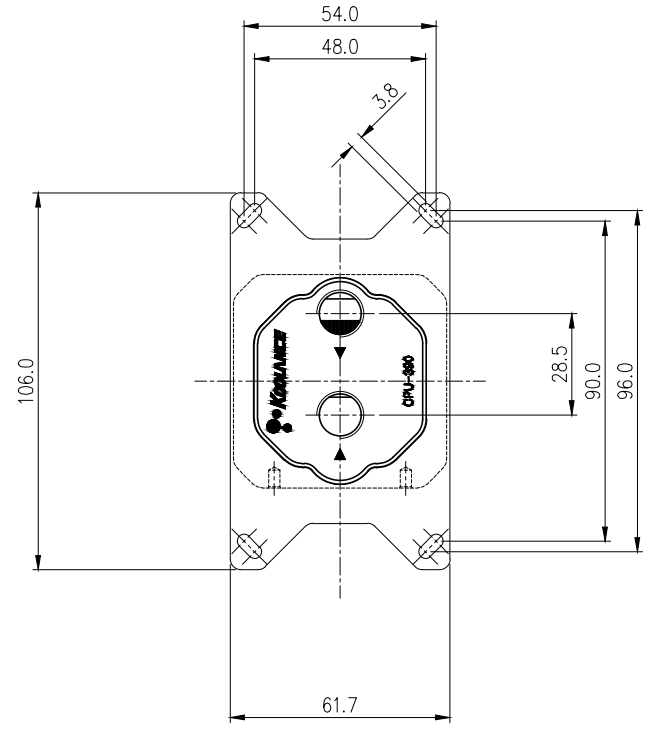


Koolance's CPU-390 redefines thermal performance again with an all-new 0.17mm microfin process and internal flow optimizations. Versions are available with acrylic and copper tops.

CPU-390A features a microfin nickel-plated copper cold plate, acrylic top, and thick steel mounting bracket. Standard G 1/4 BSPP threading will accept any Koolance fitting diameter up to 19mm (3/4in) OD compression style. Please select the desired fitting type for this base model (it does not include fittings). The CPU-390A/CA support most boards using the following processors:

- AMD socket AM4
- AMD socket AM2, AM2+
- AMD socket AM3, AM3+
- AMD socket FM1, FM2, FM2+

General	
Weight	0.59 lb (0.27 kg)
Materials	Nickel-Plated Copper, Stainless Steel, PMMA Acrylic, EPDM
Max Pressure Tolerance @ 25 °C	2kgf/cm2 (28.5psi)
Max Temp. Operating Tolerance	80 °C (176 °F)



NO.	DESCRIPTION	MATER'L	QUANTITY	REMARKS
		UNIT	MM	APPAR CPU-390A
		SCALE	N/S	TITLE
DATE	BY	BY	BY	APPRO BY
	S.J.LEE			
				3RD ANGLE
				CODE NO.
				DWG. NO.
				Ass'y