

## CPU-390CA Water Block, Copper Top (AMD Processor)

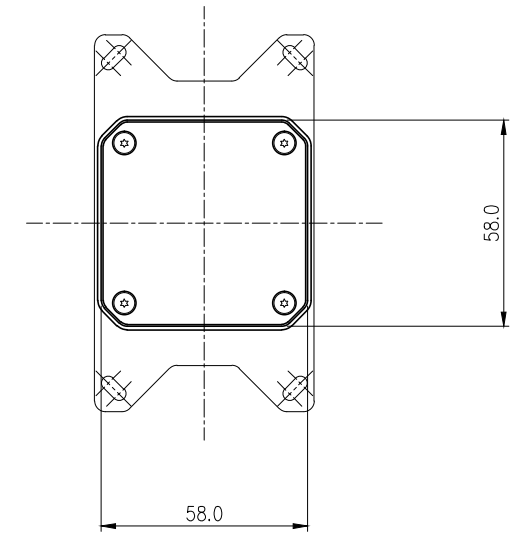
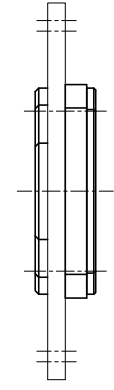
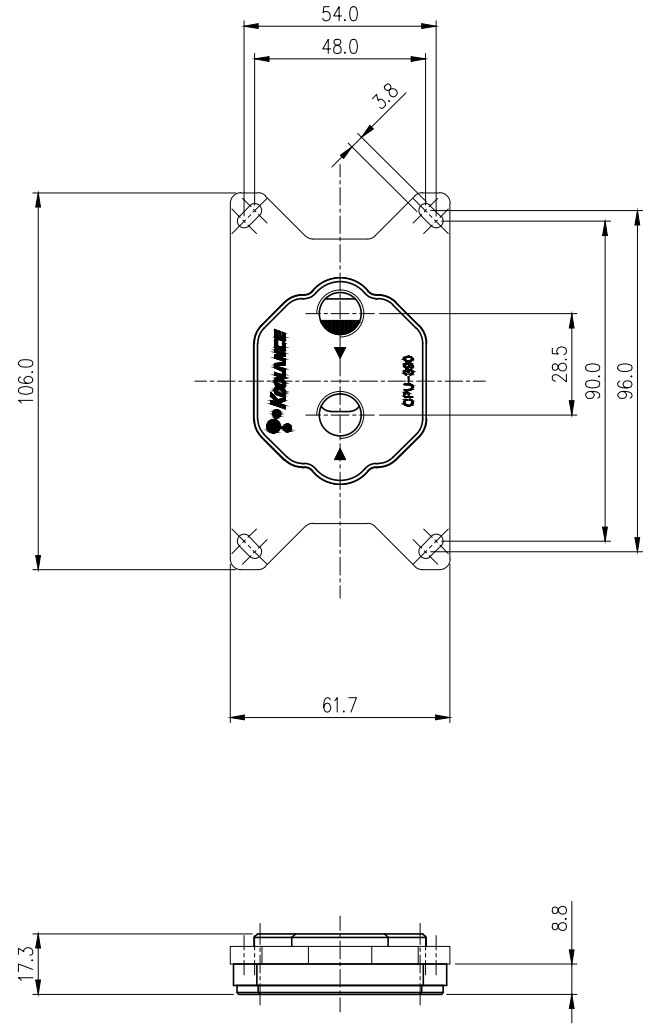


Koolance's CPU-390 redefines thermal performance again with an all-new 0.17mm microfin process and internal flow optimizations. Versions are available with acrylic and copper tops.

CPU-390CA features a microfin nickel-plated copper cold plate, nickel-plated copper top, and thick steel mounting bracket. Standard G 1/4 BSPP threading will accept any Koolance fitting diameter up to 19mm (3/4in) OD compression style. Please select the desired fitting type for this base model (it does not include fittings). The CPU-390A/CA support most boards using the following processors:

- AMD socket AM4
- AMD socket AM2, AM2+
- AMD socket AM3, AM3+
- AMD socket FM1, FM2, FM2+

General	
Weight	1.00 lb (0.45 kg)
Materials	Nickel-Plated Copper, Stainless Steel, EPDM
Max Pressure Tolerance @ 25°C	2kgf/cm <sup>2</sup> (28.5psi)
Max Temp. Operating Tolerance	80°C (176°F)



NO.	DESCRIPTION				MATER'L		QUANTITY	REMARKS
	<b>KOOLANCE</b>				UNIT	MM	APPAR	CPU-390CA
					SCALE	N/S	TITLE	Ass'y
DATE	BY	BY	BY	APPRO BY	3RD ANGLE			
	S.J.LEE				CODE NO.	DWG. NO.		