

CPU-390CI Water Block, Copper Top (Intel Processor)

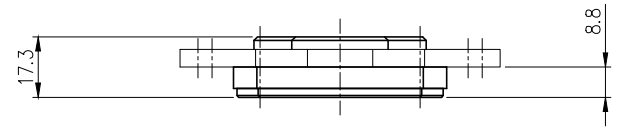
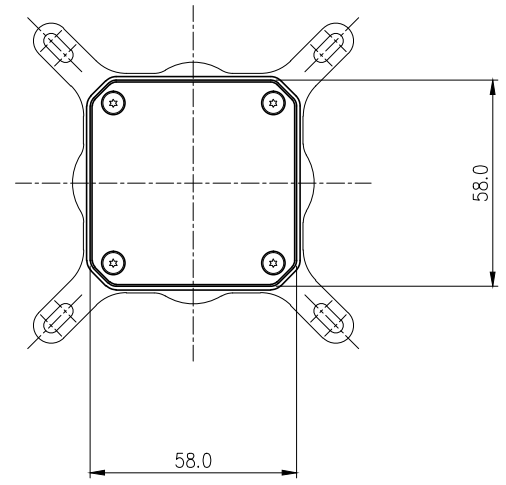
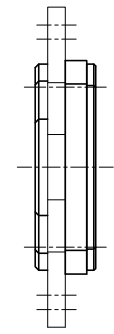
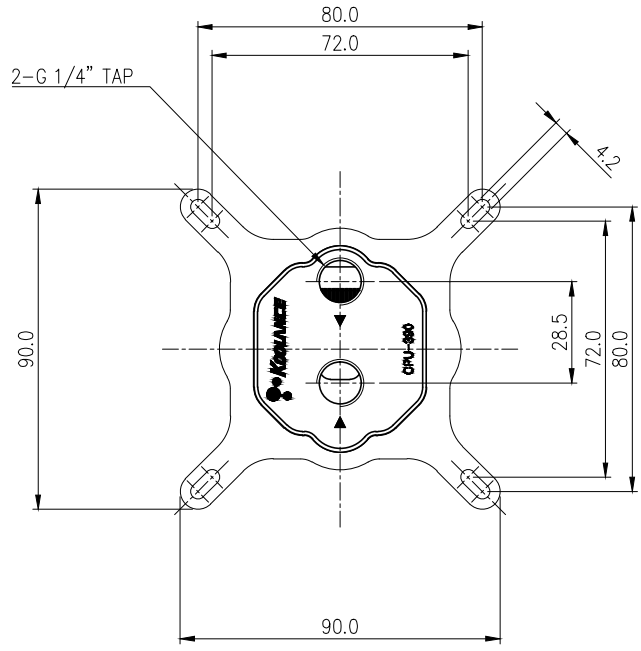



Koolance's CPU-390 redefines thermal performance again with an all-new 0.17mm microfin process and internal flow optimizations. Versions are available with acrylic and copper tops.

CPU-390CI features a microfin nickel-plated copper cold plate, nickel-plated copper top, and thick steel mounting bracket. Standard G 1/4 BSPP threading will accept any Koolance fitting diameter up to 19mm (3/4in) OD compression style. Please select the desired fitting type for this base model (it does not include fittings). The CPU-390I/CI support most boards using the following processors:

- Intel socket LGA 2066
- Intel socket LGA 2011 / 2011-v3 (Square ILM only)
- Intel socket LGA 1150
- Intel socket LGA 1151
- Intel socket LGA 1155 / 1156
- Intel socket LGA 1366 (may require [BLT-CPASZD12](#) for fixed motherboard back plates)
- Intel socket LGA 775

| General | |
|-------------------------------|---|
| Weight | 0.94 lb (0.43 kg) |
| Max Pressure Tolerance @ 25°C | 2kgf/cm ² (28.5psi) |
| Max Temperature Tolerance | 80°C (176°F) |
| Wetted Materials | Nickel-Plated Copper, Stainless Steel, EPDM |



| NO. | DESCRIPTION | | | | MATER'L | | QUANTITY | REMARKS |
|------|---|----|----|-------|---------|-----------|----------|-----------|
| | | | | | UNIT | MM | | |
| |  | | | | | | APPAR | CPU-390C1 |
| | | | | | | | | SCALE |
| DATE | BY | BY | BY | APPRO | BY | 3RD ANGLE | | Ass'y |
| | S.J.LEE | | | | | CODE NO. | DWG. NO. | |