

**CPU-390I Water Block, Acrylic Top (Intel Processor)**

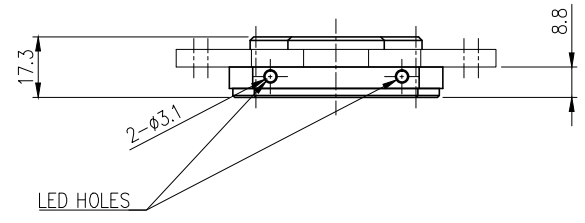
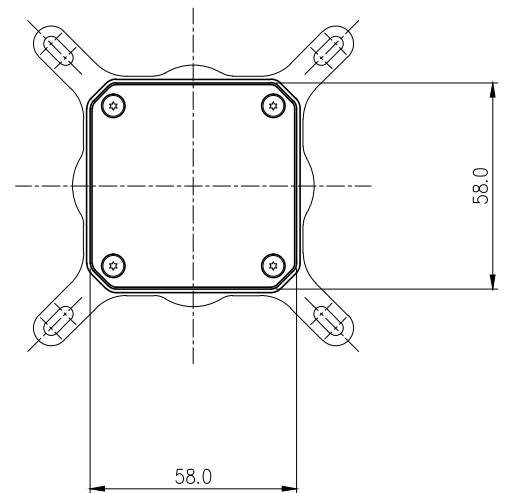
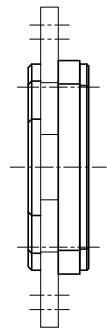
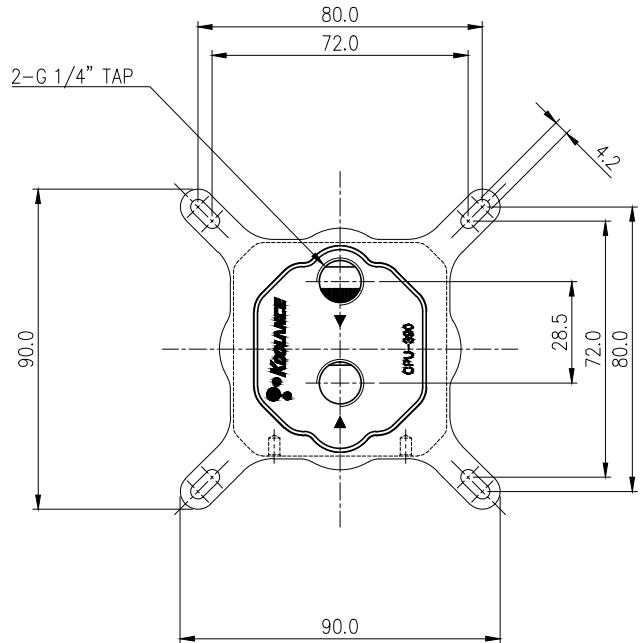


Koolance's CPU-390 redefines thermal performance again with an all-new 0.17mm microfin process and internal flow optimizations. Versions are available with acrylic and copper tops.

CPU-390I features a microfin nickel-plated copper cold plate, acrylic top, and thick steel mounting bracket. Standard G 1/4 BSP threading will accept any Koolance fitting diameter up to 19mm (3/4in) OD compression style. Please select the desired fitting type for this base model (it does not include fittings). The CPU-390I/CI support most boards using the following processors:

- Intel socket LGA 2066
- Intel socket LGA 2011 / 2011-v3 (Square ILM only)
- Intel socket LGA 1150
- Intel socket LGA 1151
- Intel socket LGA 1155 / 1156
- Intel socket LGA 1366 (may require [BLT-CPASZD12](#) for fixed motherboard back plates)
- Intel socket LGA 775

General	
Weight	0.50 lb (0.23 kg)
Max Pressure Tolerance @ 25°C	2kgf/cm2 (28.5psi)
Max Temperature Tolerance	80°C (176°F)
Wetted Materials	Nickel-Plated Copper, Stainless Steel, PMMA Acrylic, EPDM



NO.	DESCRIPTION				MATER'L		QUANTITY	REMARKS
					UNIT	MM		
	<b>KOOLANCE</b>						APPAR	CPU-390I
							SCALE	N/S
DATE	BY	BY	BY	APPRO BY	3RD ANGLE			
	S.J.LEE				CODE NO.		DWG. NO.	