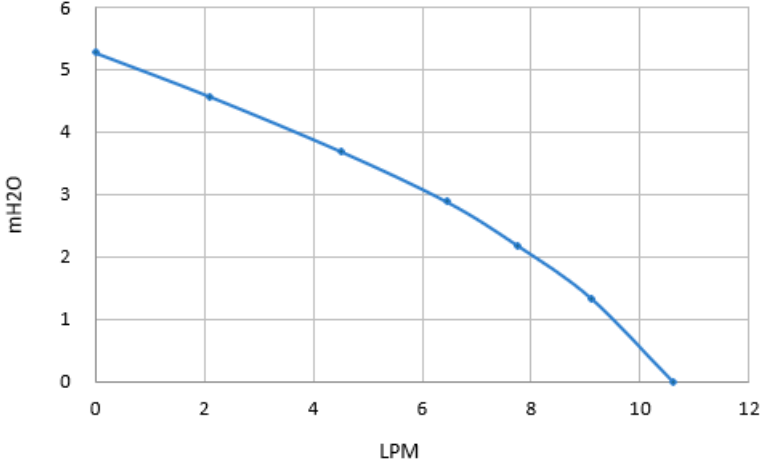


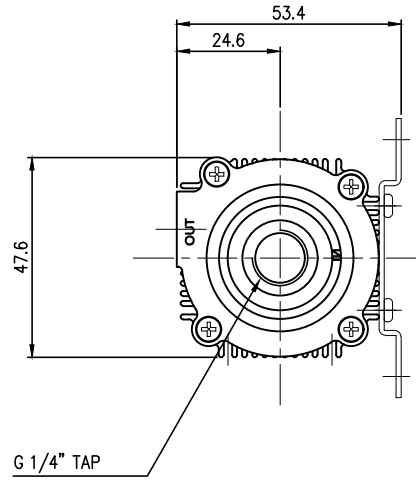


- Maximum Flow Rate: 11L/min (2.9 gal/min)
- Maximum Head Pressure: 5.8m (19ft)
- Motor: Brushless DC
- Power Consumption (at max): 17W
- Voltage Range: 6 to 12 VDC
- Maximum Temperature: 60°C (140°F)
- Electrical Connector: 3-pin fan header with tachometer speed signal
- Hose Connections: G 1/4 BSPP Threads
- Noise: Less than 50dBA
- Weight: 284g (0.6lbs)
- Mounting Bracket Included

General	
Weight	0.60 lb (0.27 kg)
Fitting Thread	G 1/4 BSPP
Max Pressure Tolerance @ 25°C	1.5kgf/cm2 (21.3psi)
Max Temperature Tolerance	60°C (140°F)
Wetted Materials	PPE, Carbon, Ceramic, EPDM, ABS, POM, Ferrite
Pumps	
Max Flow Rate	11L/min (2.9GPM)
Max Power	17W
Max Static Head	5.8m (19ft)
Speed Knob	no
Tachometer	yes
Type	Magnetic Centrifugal
Voltage	6-12 VDC

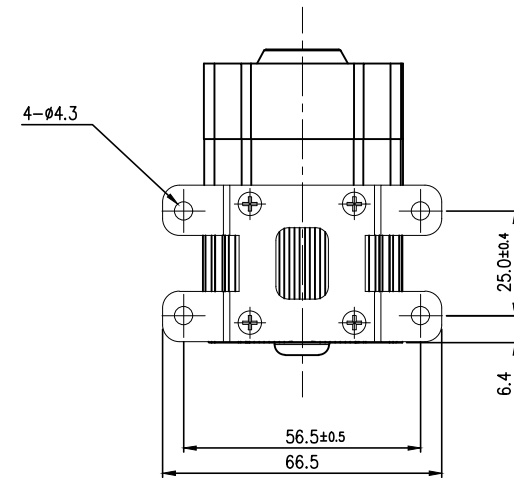
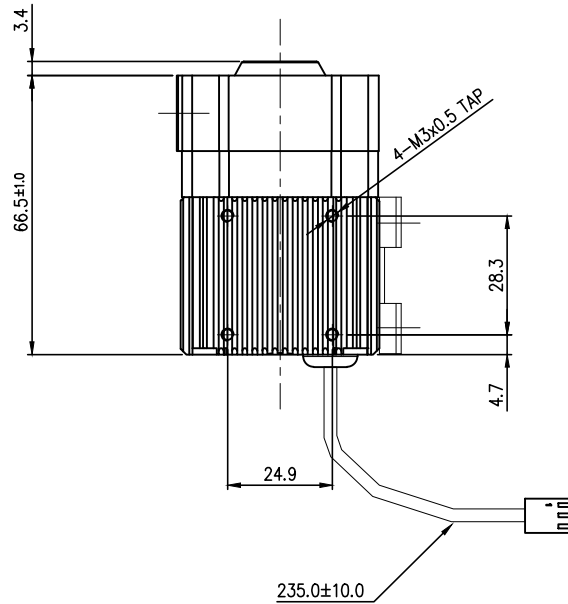
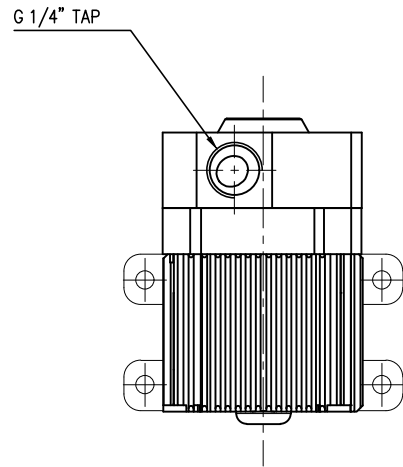
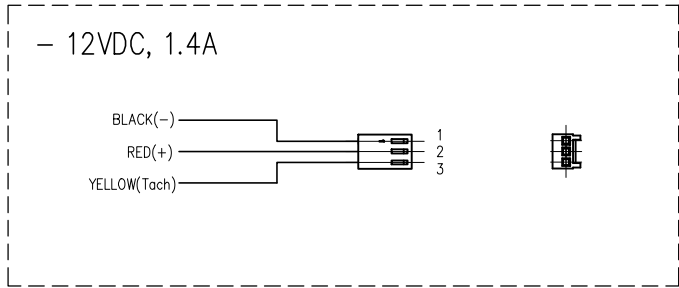
PMP-420





< 3pin CONNECTOR >

- Housing : Molex 5051-03 (or Equivalent)
- Terminal : Molex 5159 (or Equivalent)



NO.	DESCRIPTION				MATER'L		QUANTITY	REMARKS
					UNIT	MM		
	KOOLANCE				SCALE	N/S	PART NO.	PMP-420
DATE					BY	BY	BY	APPROD BY
	S.J.LEE				DWG. NO.	ITEM		