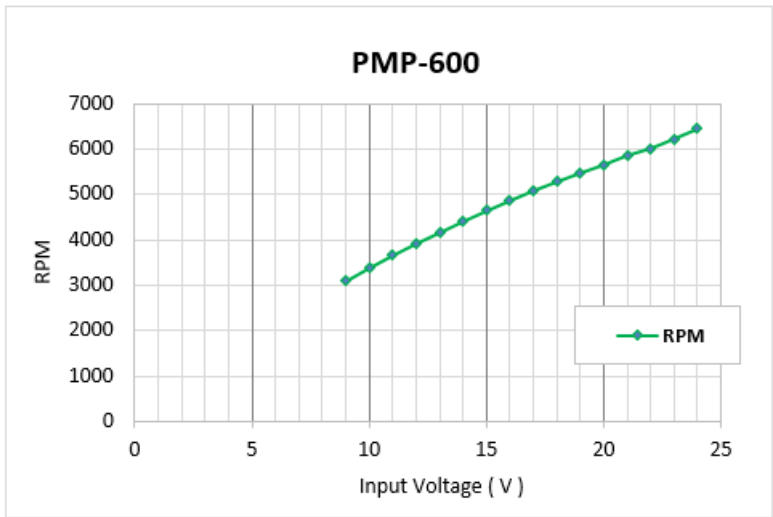
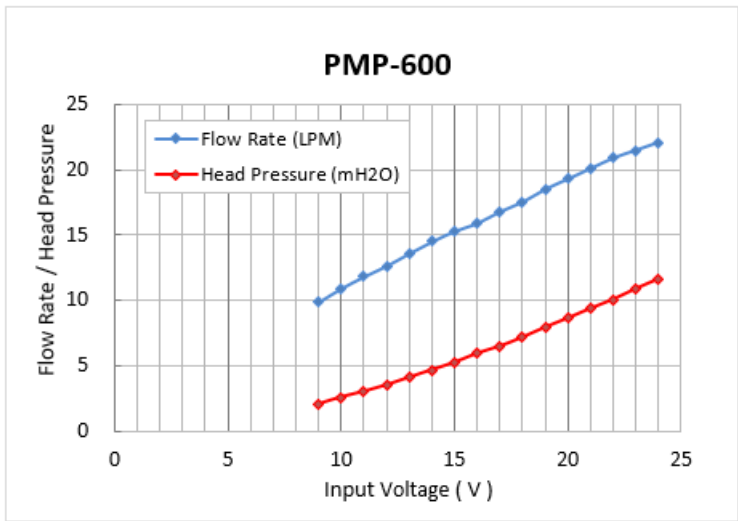
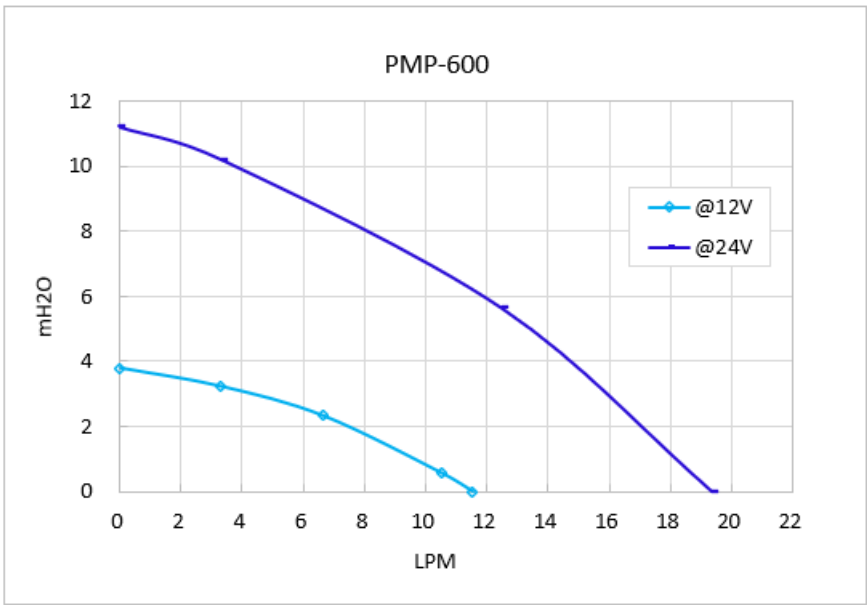
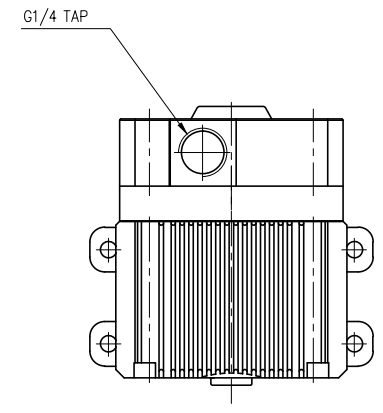
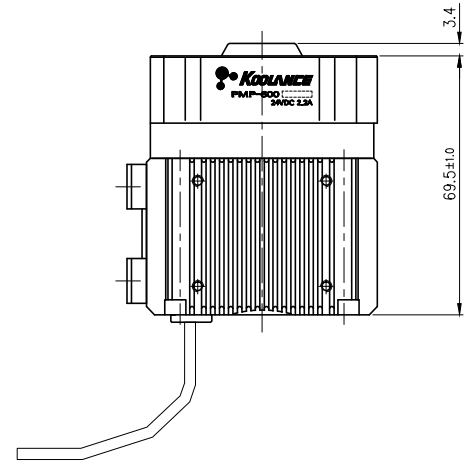
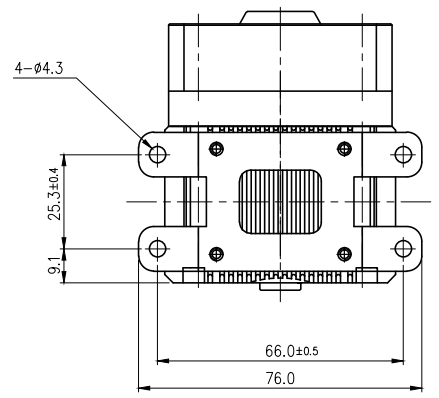
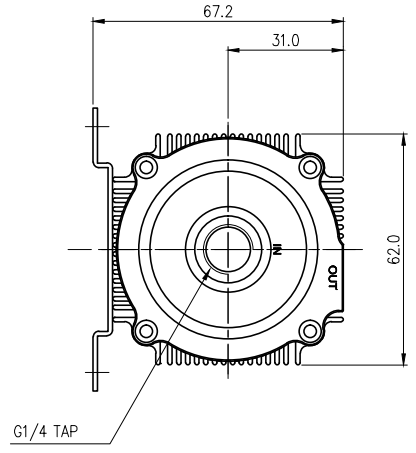




- Maximum Flow Rate: 20L/min (5.3 gal/min)
- Maximum Head Pressure: 11 m (36ft)
- Motor: Brushless DC
- Power Consumption (at max): 52W
- Voltage Range: 8 to 24 VDC
- Maximum Temperature: 75°C (167°F)
- Electrical Connector: 4-pin Molex power supply connection + 3-pin (single lead) tach
- Hose Connections: G 1/4 BSPP Threads
- Noise: Less than 50dBA
- Weight: 454g (1lbs)
- Mounting Bracket Included

| General | |
|-------------------------------|---|
| Weight | 1.20 lb (0.54 kg) |
| Fitting Thread | G 1/4 BSPP |
| Max Pressure Tolerance @ 25°C | 1.5kgf/cm2 (21.3psi) |
| Max Temperature Tolerance | 75°C (167°F) |
| Wetted Materials | PPE, Carbon, Ceramic, EPDM, ABS, POM, Ferrite |
| Pumps | |
| Expected Lifetime | 30,000 hrs. MTBF |
| Max Flow Rate | 20L/min (5.3 gal/min) |
| Max Power | 52W |
| Max Static Head | 11m (36ft) |
| Speed Knob | no |
| Tachometer | yes |
| Type | Magnetic Centrifugal |
| Voltage | 8-24 VDC |





| NO. | DISCRIPTION | | | | MATER'L | | QUANTITY | REMARKS |
|------|-------------|--|--|--|----------|----------|----------|----------|
| | | | | | UNIT | MM | | |
| | | | | | SCALE | N/S | ITEM | PMP-600 |
| DATE | | | | | BY | BY | BY | APPRO BY |
| | S.J.LEE | | | | CODE NO. | DWG. NO. | PAGE | |