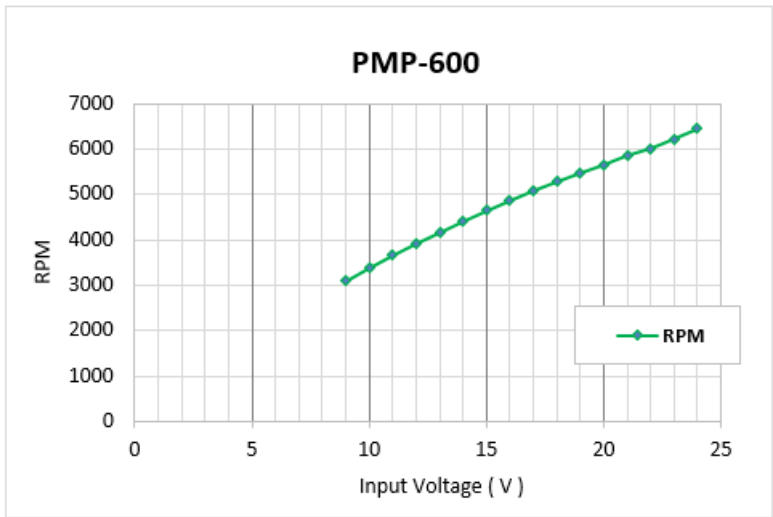
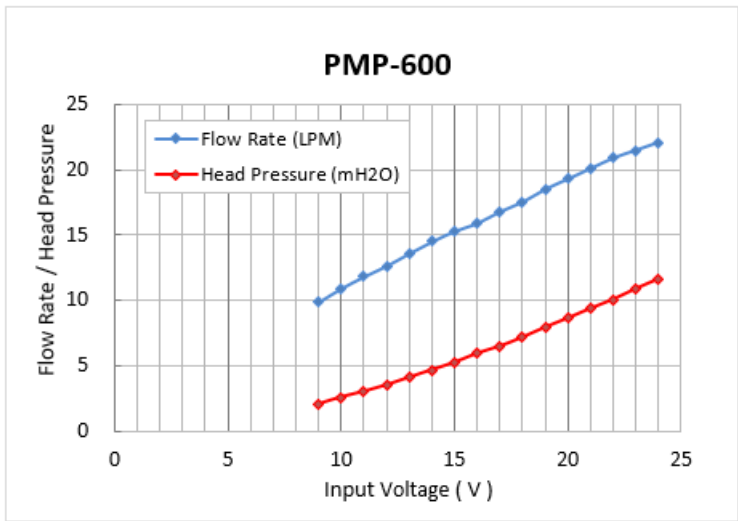
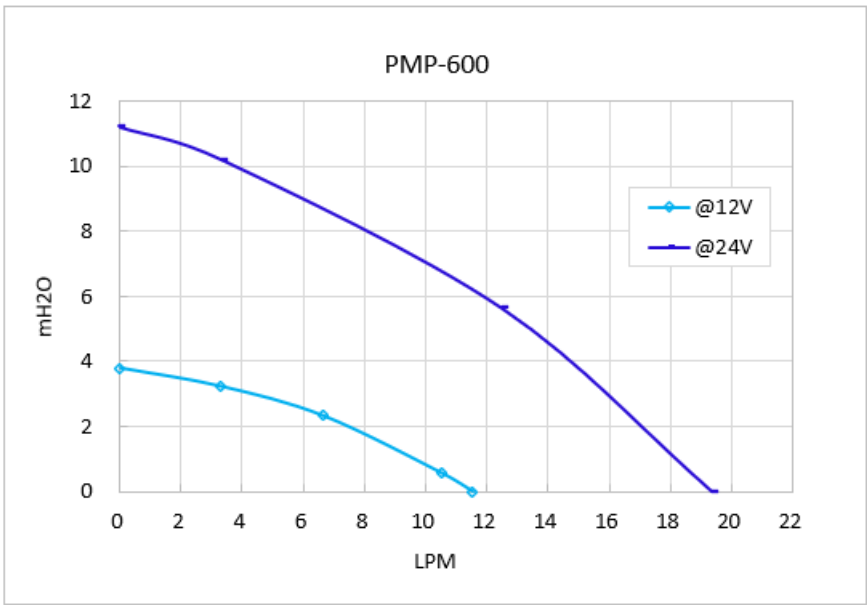
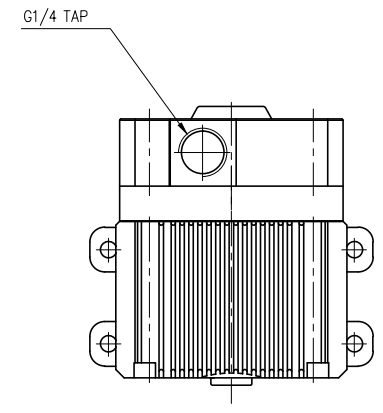
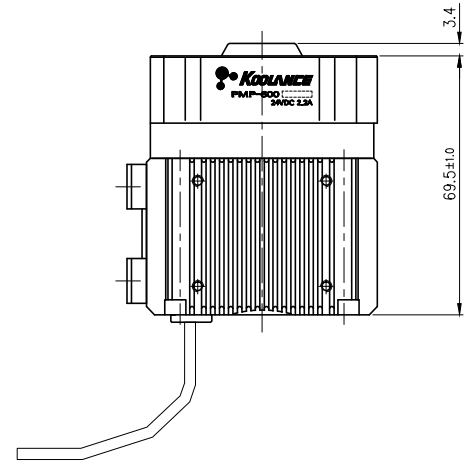
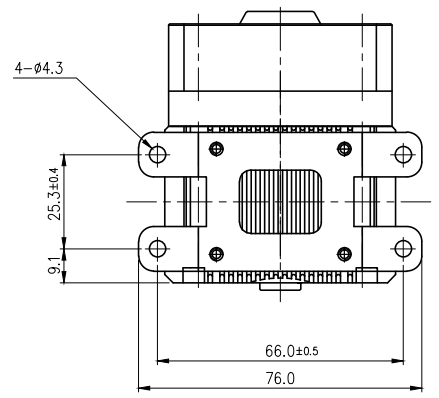
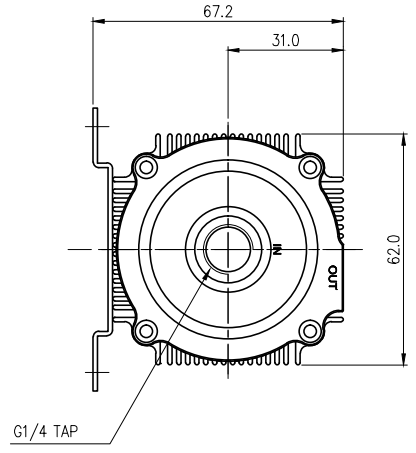




- Maximum Flow Rate: 20L/min (5.3 gal/min)
- Maximum Head Pressure: 11 m (36ft)
- Motor: Brushless DC
- Power Consumption (at max): 52W
- Voltage Range: 8 to 24 VDC
- Maximum Temperature: 75°C (167°F)
- Electrical Connector: 4-pin Molex power supply connection + 3-pin (single lead) tach
- Hose Connections: G 1/4 BSPP Threads
- Noise: Less than 50dBA
- Weight: 454g (1lbs)
- Mounting Bracket Included

General	
Weight	1.20 lb (0.54 kg)
Fitting Thread	G 1/4 BSPP
Max Pressure Tolerance @ 25°C	1.5kgf/cm2 (21.3psi)
Max Temperature Tolerance	75°C (167°F)
Wetted Materials	PPE, Carbon, Ceramic, EPDM, ABS, POM, Ferrite
Pumps	
Expected Lifetime	30,000 hrs. MTBF
Max Flow Rate	20L/min (5.3 gal/min)
Max Power	52W
Max Static Head	11m (36ft)
Speed Knob	no
Tachometer	yes
Type	Magnetic Centrifugal
Voltage	8-24 VDC





NO.	DISCRIPTION				MATER'L		QUANTITY	REMARKS
					UNIT	MM	ITEM	
	<b>KOOLANCE®</b>				SCALE	N/S	PMP-600	
DATE					BY	BY	BY	APPRO BY
	S.J.LEE				3RD ANGLE		Ass'y	
					CODE NO.	DWG. NO.	PAGE	