

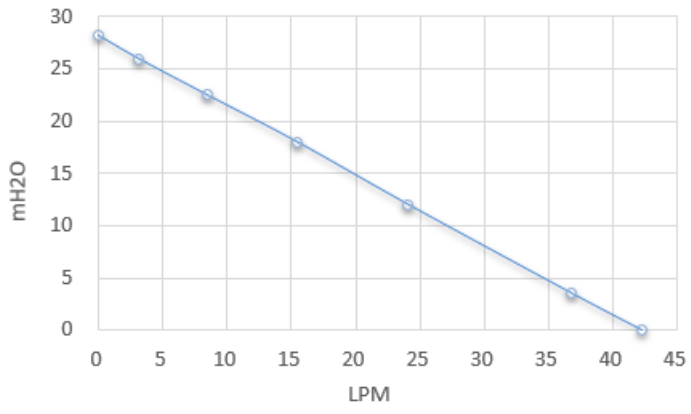


**CAUTION:** Due to its high output, this pump might exceed the maximum pressure specifications of certain Koolance products, such as copper radiators and acrylic reservoirs. To avoid permanent damage or leaks, please confirm the specifications for each component before selecting this pump.

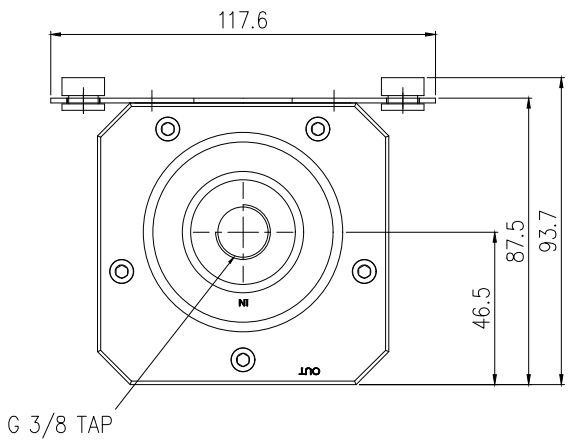
- Maximum Flow Rate: 42L/min (11.1 gal/min)
- Maximum Head Pressure: 28m (92ft)
- Motor: Brushless DC
- Power Consumption (at max): 150W
- Voltage Range: 12 to 24 VDC
- Native PWM support: 100Hz~1kHz
- Maximum Temperature: 75°C (167°F)
- Electrical Connector: 4-pin Molex
- Hose Connections: G 3/8 BSPP Threads
- Weight: 1700g (3.75lbs)

General	
Weight	3.75 lb (1.70 kg)
Fitting Thread	G 3/8 BSPP
Max Pressure Tolerance @ 25°C	3kgf/cm2 (42.7psi)
Max Temperature Tolerance	75°C (167°F)
Wetted Materials	PPE, Carbon, Ceramic, EPDM, ABS, POM, Ferrite
Pumps	
Expected Lifetime	30,000 hrs. MTBF
Max Flow Rate	42L/min (11.1 gal/min)
Max Power	150W
Max Static Head	28m (92ft)
Speed Knob	no
Tachometer	yes
Type	Magnetic Centrifugal
Voltage	8-24 VDC

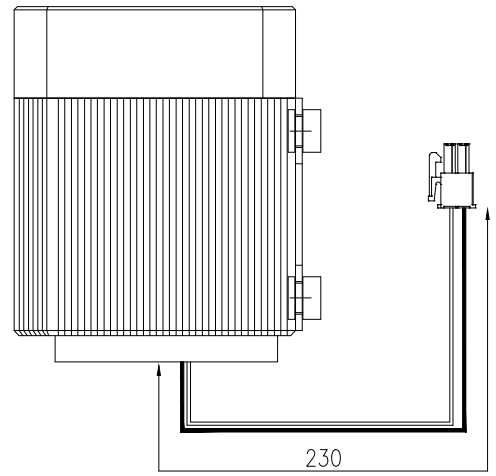
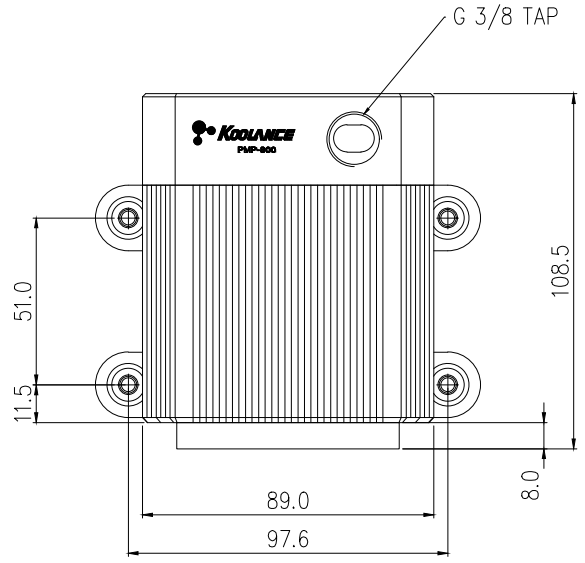
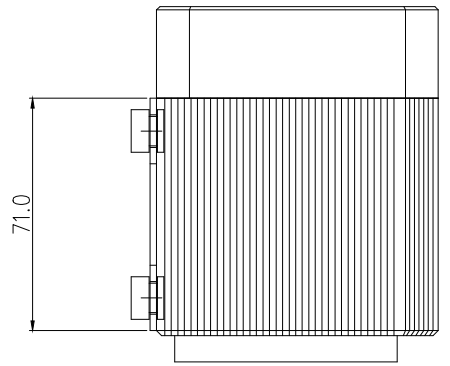
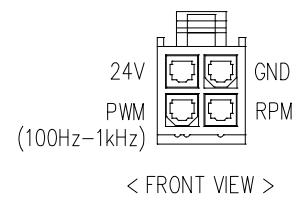
PMP-800



24V DC, 6.3A



- < 4 Pin Connector >
- Housing : Molex 5557-04(or Equivalent)
- PinTerminal : Molex 5556 (or Equivalent)



NO.	DISCRIPTION				MATER'L		QUANTITY	REMARKS
					UNIT	MM	ITEM	PMP-800
					SCALE	N/S	TITLE	
DATE	BY	BY	BY	APPRO BY	3RD ANGLE			
	SK.AN				CODE NO.	DWG. NO.	PAGE	