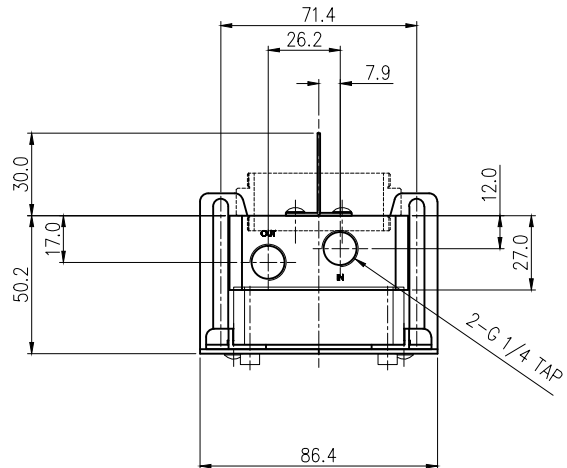
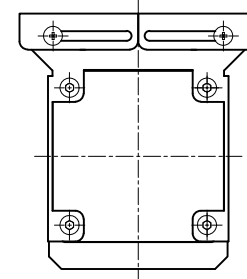
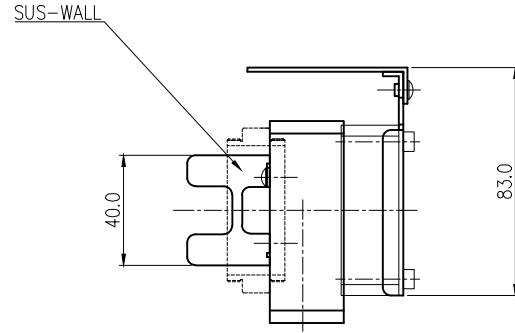
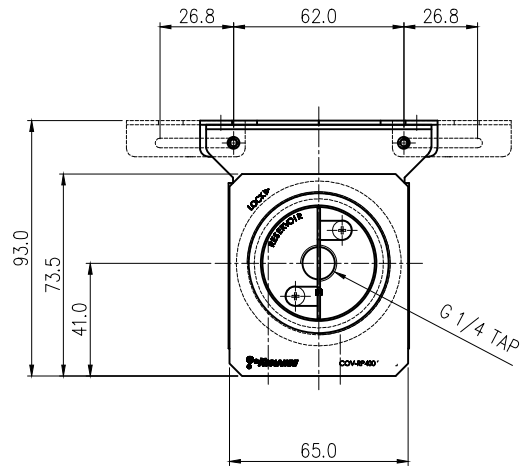




COV-RP400 is an acetal fitting and reservoir base for the Koolance [PMP-400](#) pump. Pump, reservoir, and fittings are sold separately. Along with enabling the use of any G 1/4 BSPP (parallel) thread fitting style and diameter, it allows flow to be specifically directed for increased pump performance or broader chassis integration. Fitting base, mounting bracket, coupler for 60mm OD reservoirs, socket plug, and mounting hardware is included.

Koolance [60mm OD](#) acrylic reservoir bodies can be directly connected to the COV-RP400 by using the included reservoir coupler. For [80mm OD](#) reservoirs, use separate reservoir thread adapter [TNK-CNT50T70](#).

General	
Weight	0.80 lb (0.36 kg)
Materials	Nickel-Plated Brass, POM Acetal, Stainless Steel, EPDM
Max Pressure @ 25°C	2kgf/cm <sup>2</sup> (28.5psi)
Max Temperature	80°C (176°F)



REV	DATE	CONTENTS	REVD BY	CHKD BY	APPD BY

NO.	DESCRIPTION	MATER'L	QUANTITY	REMARKS
		UNIT	MM	APPAR COV-RP400
		SCALE	N/S	TITLE
				SUS-wall version Ass'y
				3RD ANGLE
				REF. NO.
				DWG. NO.

**KOLANCE** inc.

BY BY BY APPRO BY  
S.J.LEE