

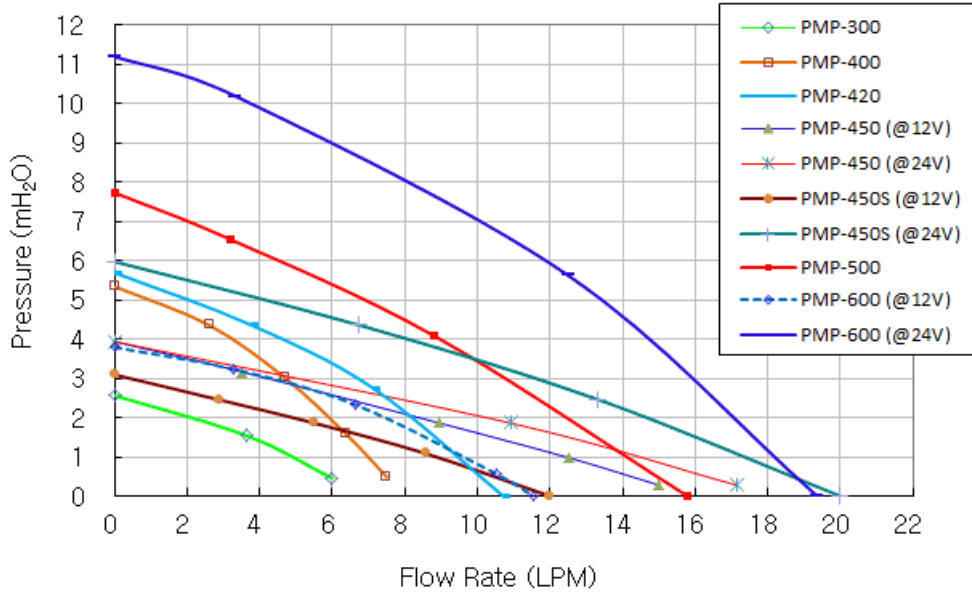


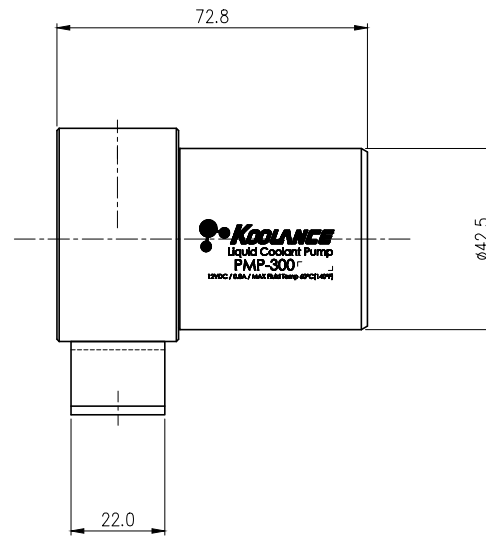
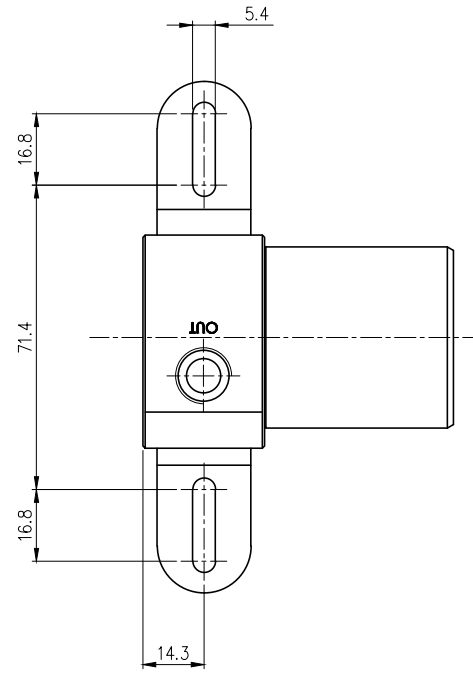
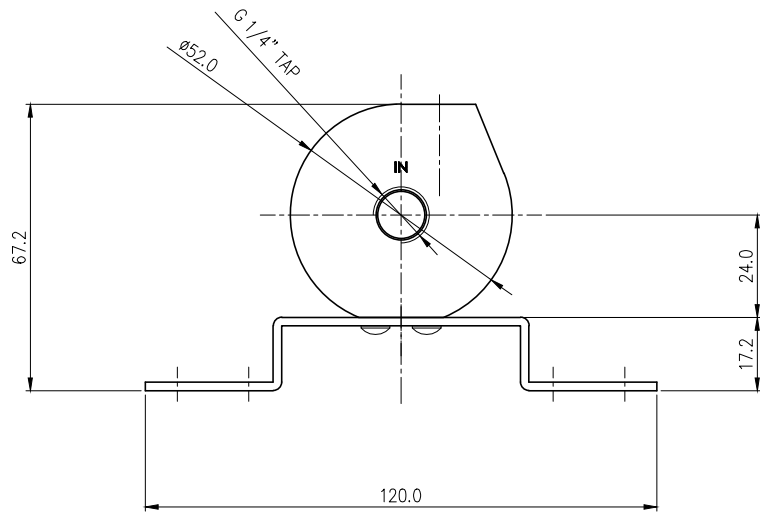
The PMP-300 is a compact pump with low power consumption. It features G 1/4 BSPP inlet and outlet threads and comes with a detachable steel mounting bracket, screws, and vibration dampening washers.

- Maximum Flow Rate: 7L/min (1.85 gal/min)
- Maximum Head Pressure: 2.6m (8.53ft)
- Motor: Brushless DC
- Power Consumption (at max): 9.6W
- Voltage Range: 6 to 12 VDC
- Maximum Temperature: 60°C (140°F)
- Electrical Connector: 3-pin fan header with tachometer speed signal
- Hose Connections: G 1/4 BSPP Threads
- Noise: Less than 40dBA
- Weight: 283g (10oz)
- MTBF 30k hours

General	
Weight	0.80 lb (0.36 kg)
Fitting Thread	G 1/4 BSPP
Max Pressure Tolerance @ 25°C	1.5kgf/cm <sup>2</sup> (21.3psi)
Max Temperature Tolerance	60°C (140°F)
Pumps	
Max Flow Rate	7L/min (1.85GPM)
Max Power	9.6W
Max Static Head	2.6m (8.53ft)
Native Hose Connection	G 1/4 BSP Threads
Speed Knob	no
Tachometer	yes
Type	Magnetic Centrifugal
Voltage	6-12 VDC

Flow Rate vs. Head Pressure





NO.	DESCRIPTION	MATER'L		QUANTITY	REMARKS
	<b>KOOLANCE</b>	UNIT	MM	PART NO. PMP-300	
		SCALE	N/S	TITLE	
DATE	BY	BY	BY	BY	3RD ANGLE
05/09/2017	S.J.LEE				DWG. NO.
					ITEM

Ass'y