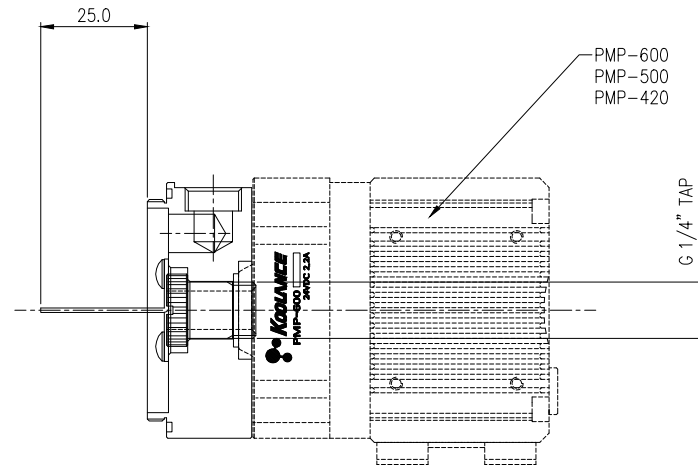
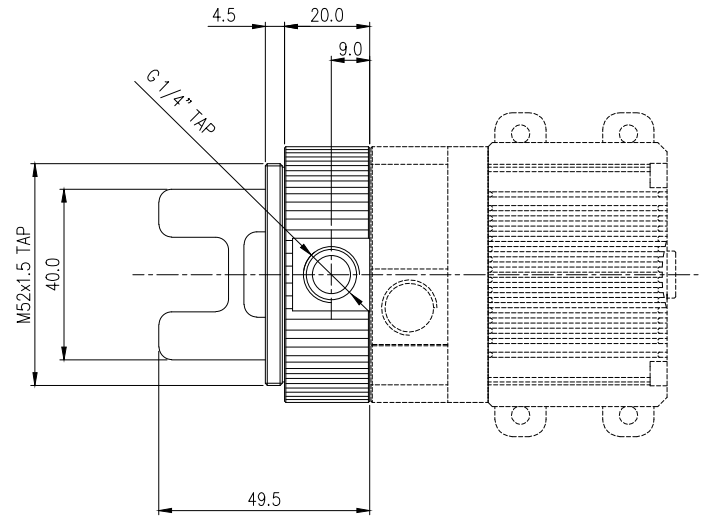
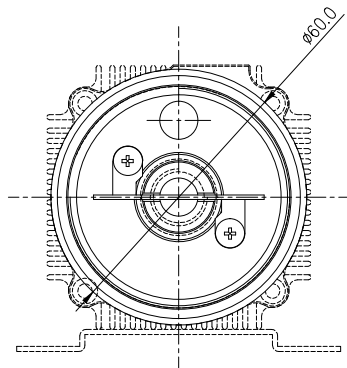




CNT-PMP500T is an acetal reservoir base for the Koolance [PMP-420](#), [PMP-500](#), and [PMP-600](#) (sold separately). Koolance [60mm OD acrylic reservoir bodies](#) can be directly connected to the CNT-PMP500T. The fitting on the reservoir side can be pointed in any direction before tightening to the pump.

O-rings for pump and reservoir sides, a stainless steel liquid partition, and nickel-plated brass attachment fitting are included.

General	
Weight	0.25 lb (0.11 kg)



PMP-600  
PMP-500  
PMP-420

NO.	DESCRIPTION				MATER'L		QUANTITY	REMARKS
					UNIT	MM		
	<b>KOOLANCE</b>				SCALE	N/S	PART NO. CNT-PMP500T	TITLE
DATE					BY	BY		
DEC.22.2020	S.J.LEE					DWG. NO.	ITEM	