

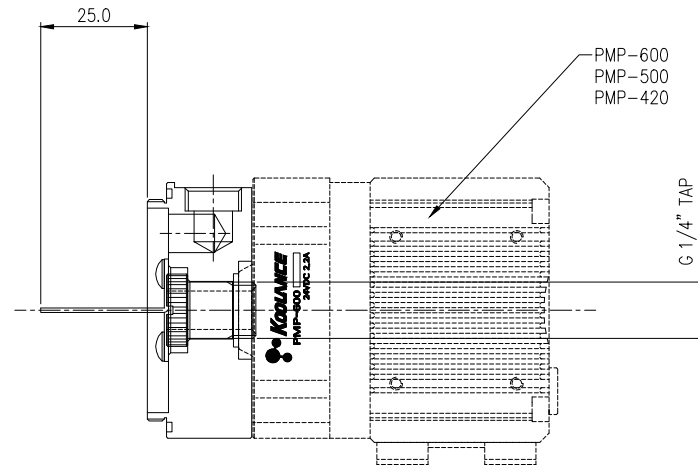
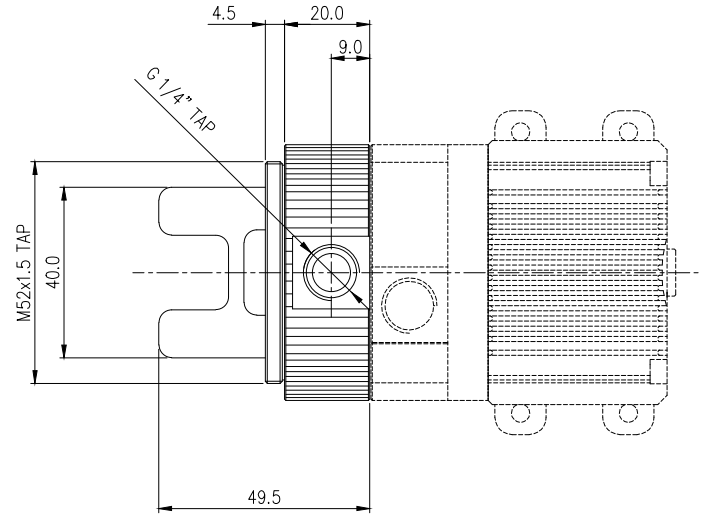
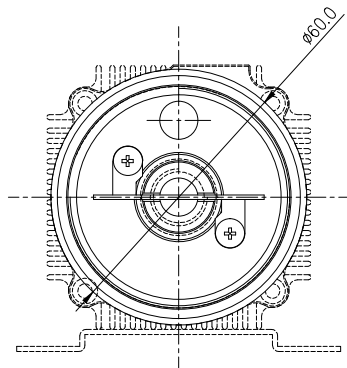
## Pump Reservoir Base for PMP-420/500/600 (60mm OD)



CNT-PMP500T is an acetal reservoir base for the Koolance [PMP-420](#), [PMP-500](#), and [PMP-600](#) (sold separately). Koolance [60mm OD acrylic reservoir bodies](#) can be directly connected to the CNT-PMP500T. The fitting on the reservoir side can be pointed in any direction before tightening to the pump.

O-rings for pump and reservoir sides, a stainless steel liquid partition, and nickel-plated brass attachment fitting are included.

General	
Weight	0.25 lb (0.11 kg)
Fitting Thread	G 1/4 BSPP
Max Pressure Tolerance @ 25 °C	2kgf/cm2 (28.5psi)
Max Temperature Tolerance	70 °C (158 °F)
Wetted Materials	Nickel-Plated Brass, POM Acetal, Stainless Steel, EPDM



PMP-600  
PMP-500  
PMP-420

NO.	DESCRIPTION	MATER'L		QUANTITY	REMARKS
	<b>KOOLANCE</b>	UNIT	MM	PART NO. CNT-PMP500T	
		SCALE	N/S	TITLE	
DATE	BY	BY	BY	BY	Ass'y
DEC.22.2020	S.J.LEE				
				DWG. NO.	ITEM