

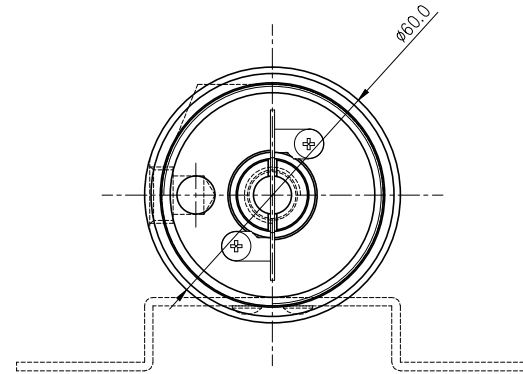
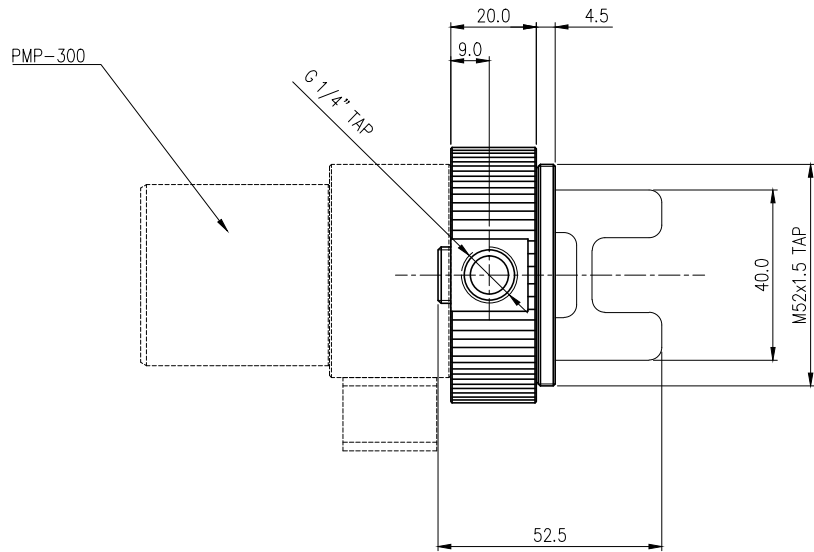
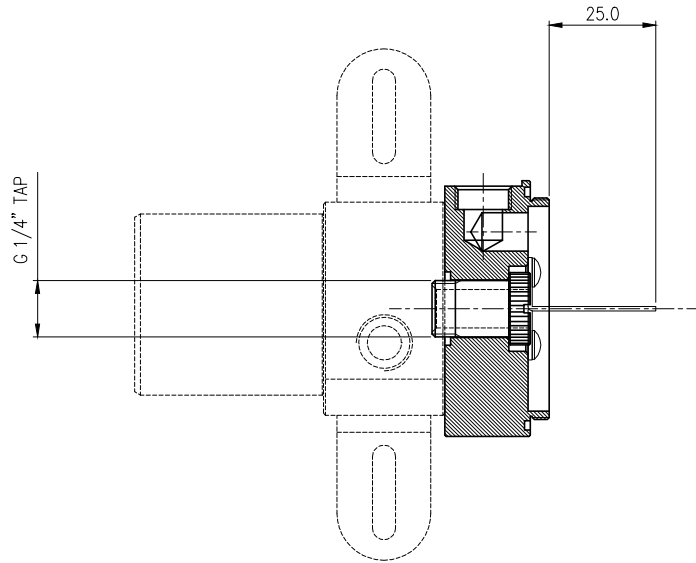
Pump Reservoir Base for PMP-300/420/500/600 (60mm OD)



PMP-CNT300T is an acetal reservoir base for the Koolance [PMP-300](#), [PMP-420](#), [PMP-500](#), and [PMP-600](#) (sold separately). Koolance [60mm OD acrylic reservoir bodies](#) can be directly connected to the PMP-CNT300T. The fitting on the reservoir side can be pointed in any direction before tightening to the pump.

Pump and reservoir side O-rings, a removable stainless steel liquid partition, and nickel-plated brass attachment fitting are included.

General	
Weight	0.25 lb (0.11 kg)
Fitting Thread	G 1/4 BSPP
Materials	Nickel-Plated Brass, POM Acetal, Stainless Steel, EPDM
Max Pressure @ 25° C	2kgf/cm2 (28.5psi)
Max Temp. Operating Tolerance	70° C (158° F)



NO.	DESCRIPTION	MATER'L		QUANTITY	REMARKS
	KOOLNCE	UNIT	MM	PART NO. PMP-CNT300T	
		SCALE	N/S	TITLE	
DATE	BY	BY	BY	BY	Ass'y
05/09/2017	S.J.LEE				
					3RD ANGLE
					DWG. NO.
					ITEM