

QD2 Female Quick Disconnect No-Spill Coupling, Panel Barb for 06mm (1/4in)

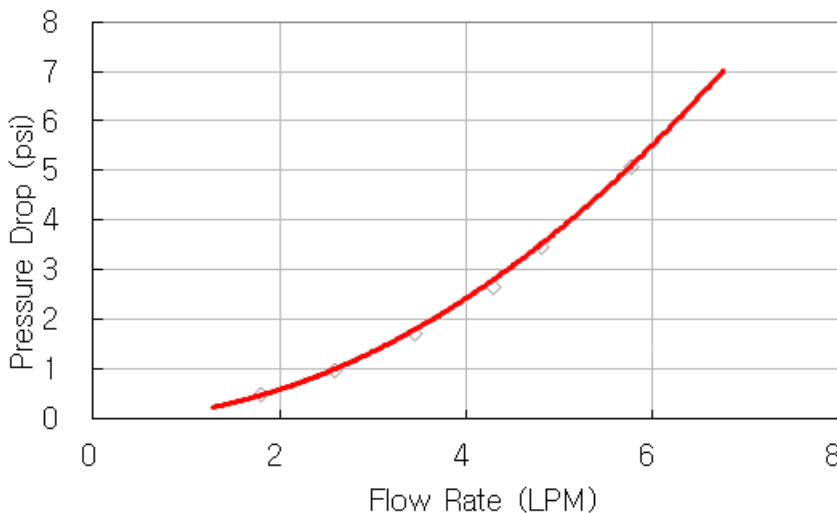


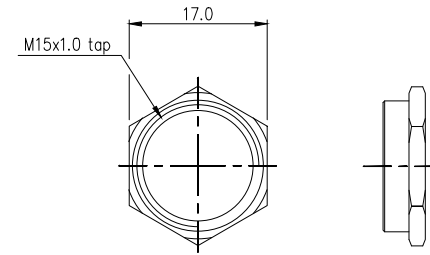
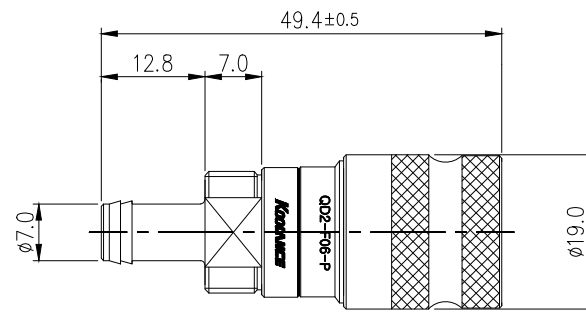
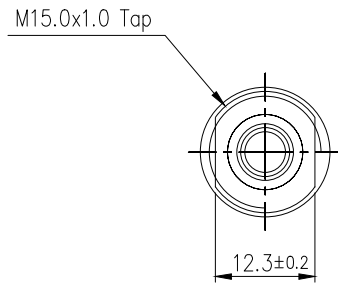
Koolance patented quick disconnect no-spill coupling with automatic shutoff. 6mm (1/4in) ID female panel-mountable hose barb with clamp for 10mm (3/8in) OD. It will only fit a Koolance QD2 male quick disconnect.

After pulling the ring on the female QDC side, the quick-disconnect fittings will separate. Liquid on both sides will be automatically obstructed with approximately 0.2ml freed. Coolant volume lost upon disconnection will rise with internal pressure higher than 0.5kgf/cm² (7psi).

General	
Weight	0.13 lb (0.06 kg)
Max No-Spill Pressure	0.5kgf/cm ² (7psi)
Max Pressure Tolerance @ 25°C	8kgf/cm ² (113.8psi) connected, 5kgf/cm ² (71psi) disconnected
Max Temperature Tolerance	80°C (176°F)
Min Pressure Tolerance @ 25°C	-1.0kgf/cm ² (-14psi)
Min Storage Temperature (*No Freezing)	-20°C (-4°C)
Seal Material	EPDM (Water/Glycol Liquids)
Wetted Materials	Nickel-Plated Brass, Stainless Steel, EPDM

QD2





NUT

REV	DATE	CONTENTS	REVD BY	CHKD BY	APPD BY

REVISION

NO.	DISCRIPTION				MATER'L		QUANTITY	REMARKS		
Koolance Inc.				DECIMAL PLACES	INCHES	MILLIMETRES	UNIT	MM	ITEM	QD2
				.XXX	±.005	±0.1	SCALE	N/S	TITLE	QD2-F06-P
	BY	BY	BY	APPRO	ANGULAR DIMENSIONS					
DATE				BY	XX"	±0.5"	3RD ANGLE			
					XX.X"	±0.1"	CODE NO.			
					SURFACE ROUGHNESS		DWG. NO.	PAGE		
					SURFACE	SURFACE				
					.63	1.6				