

QD2 Female Quick Disconnect No-Spill Coupling, Male Threaded G 1/4 BSPP

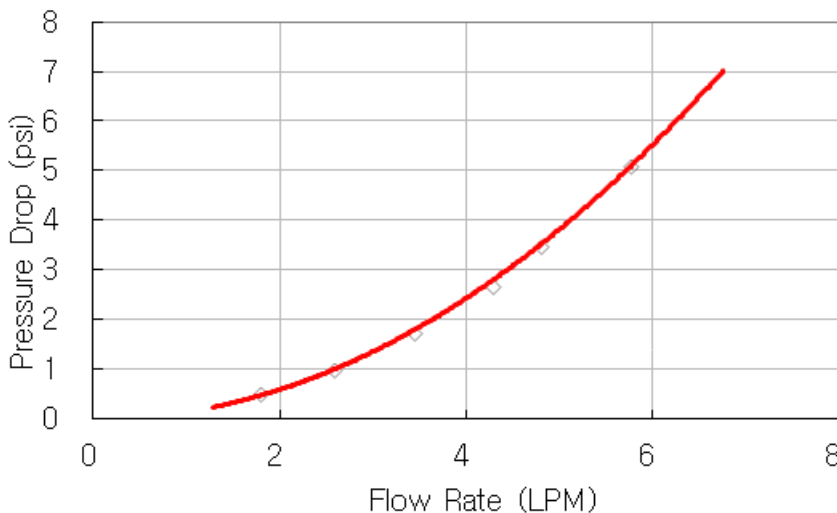


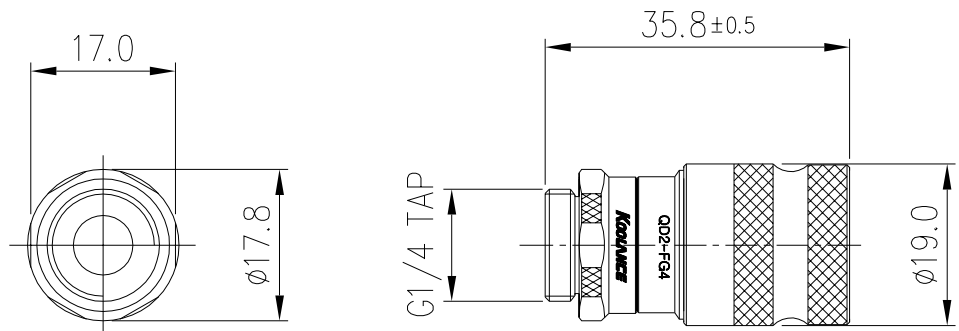
Koolance patented quick disconnect no-spill coupling with automatic shutoff. G 1/4 BSPP (parallel) thread male fitting for screwing directly into a water block or other component. It will only fit a Koolance QD2 male quick disconnect.

After pulling the ring on the female QDC side, the quick-disconnect fittings will separate. Liquid on both sides will be automatically obstructed with approximately 0.2ml freed. Coolant volume lost upon disconnection will rise with internal pressure higher than 0.5kgf/cm² (7psi).

General	
Weight	0.08 lb (0.04 kg)
Max No-Spill Pressure	0.5kgf/cm ² (7psi)
Max Pressure Tolerance @ 25° C	8kgf/cm ² (113.8psi) connected, 5kgf/cm ² (71psi) disconnected
Max Temperature Tolerance	80° C (176° F)
Min Pressure Tolerance @ 25° C	-1.0kgf/cm ² (-14psi)
Min Storage Temperature (*No Freezing)	-20° C (-4° F)
Seal Material	EPDM (Water/Glycol Liquids)
Wetted Materials	Nickel-Plated Brass, Stainless Steel, EPDM

QD2 (One Pair)





REV	DATE	CONTENTS	REVD BY	CHKD BY	APPD BY
REVISION					

NO.	DISCRIPTION			MATER'L		QUANTITY	REMARKS
KOOLANCE <i>INC.</i>	DECIMAL PLACES	INCHES	MILLIMETRES	UNIT	MM	ITEM	QD2
	.XXX .XX .X	±.005 ±.010 ±.020	±0.1 ±0.3 ±0.5	SCALE	N/S	TITLE	QD2-FG4
DATE	BY	BY	BY	APPRO BY	ANGULAR DIMENSIONS		
					3RD ANGLE		
					XX° XX.X°	±0.5° ±0.1°	
					SURFACE ROUGHNESS	SURFACE	SURFACE
					.63	1.6	
					CODE NO.	DWG. NO.	PAGE